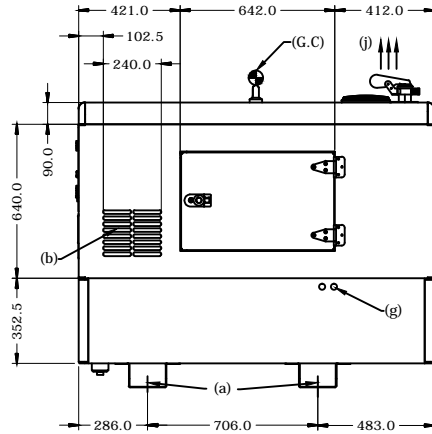
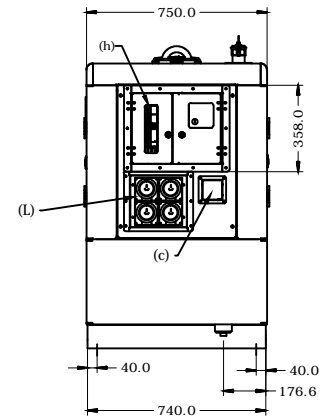


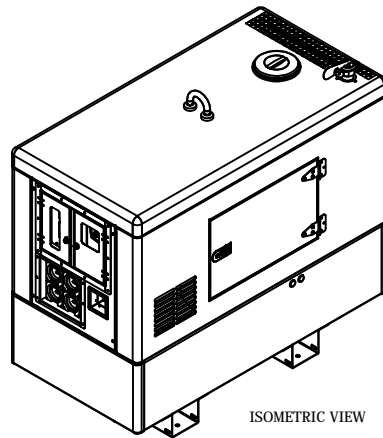
LEFT VIEW



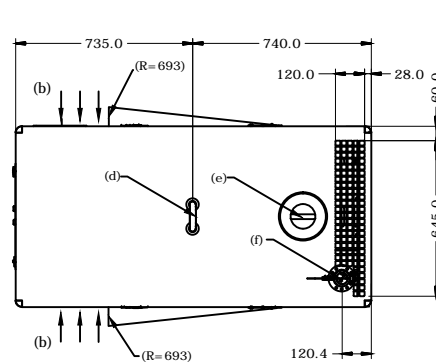
FRONT VIEW



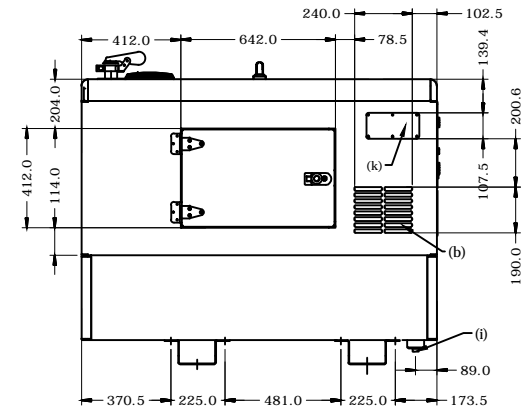
RIGHT VIEW



ISOMETRIC VIEW



UPPER VIEW




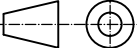
REAR VIEW

NOTES

- (a) MOUNTING POINT (4XØ16MM)
- (b) AIR INLET
- (c) EMERGENCY STOP
- (d) LIFTING POINT
- (e) RADIATOR ACCESS
- (f) EXHAUST OUTLET Ø70
- (g) INTERNAL FUEL CONNECTIONS
- (h) OPTIONAL RECEPTACLE BOX
- (i) ACCESS TO DRAIN
- (j) AIR OUTLET
- (k) CABLE OUTLET SQUARE HOLE 185\*73MM
- (L) SOCKET

Engine	Engine model
YANMAR	3TNV76
YANMAR	3TNV88

FUEL TANK OPTIONS:  
100L(STEEL FUEL TANK)

	DATE:	NAME:	REPLACE TO:	 <b>HIMOINSA</b> grupos electrógenos
DRAWN:	2013-12-11	ALFIE ZHU	REPLACE FOR:	
REVISED:	2013-12-11	LOUIS YU	THE SHOWN DESIGN IS PROPERTY OF HIMOINSA S.L. MUST NOT BE USED TO MANUFACTURE. COPY OR GIVE TO A THIRD PARTY WITHOUT PREVIOUS PERMISSION OF HIMOINSA S.L.	
APPROVED:	2013-12-11	MIGUEL UTRILLAS		
Units: mm.	DESCRIPTION:			
SCALE:	HYW-8M5 HYW-13T5 HYW-13M5 ENCLOSURE MODEL: A10 100L STEEL TANK			
				DRAWING N°:
				PART NUMBER:
				REVISION: