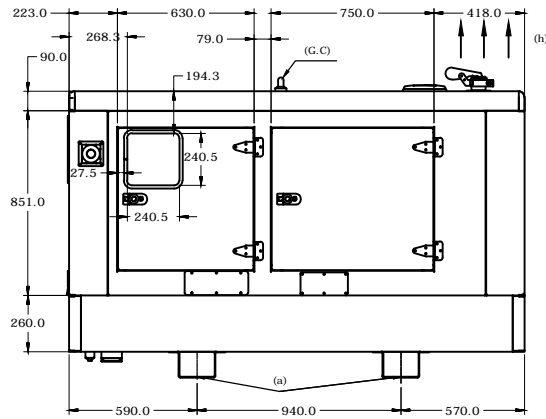
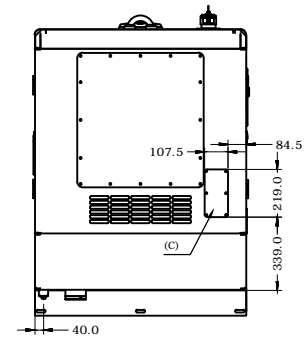


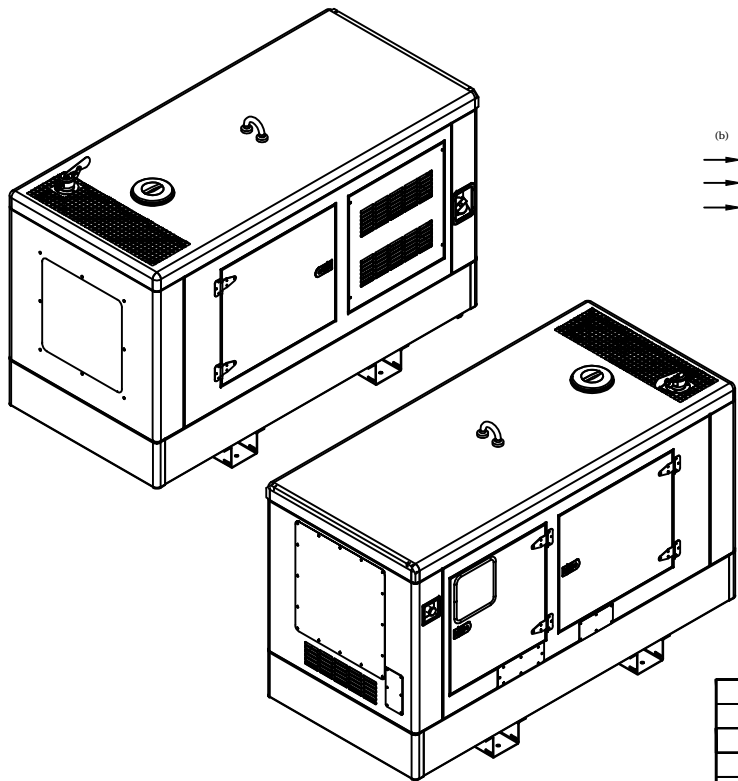
LEFT VIEW



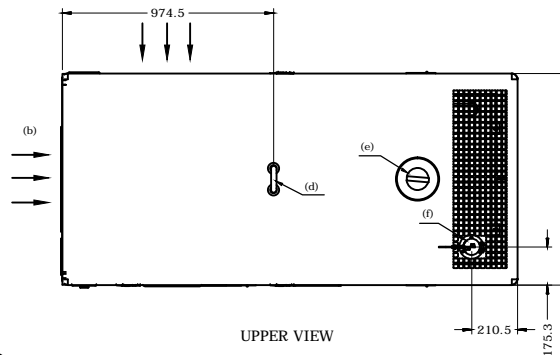
FRONT VIEW



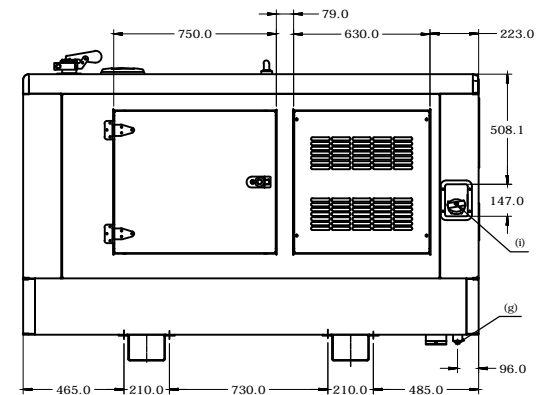
RIGHT VIEW



ISOMETRIC VIEW



UPPER VIEW


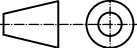


REAR VIEW

- NOTES
- (a) MOUNTING POINT (4X  $\phi$ 16mm)
  - (b) AIR INLET
  - (c) CABLE OUTLET SQUARE HOLE 185X73mm
  - (d) LIFTING POINT
  - (e) RADIATOR ACCESS
  - (f) EXHAUST OUTLET
  - (g) ACCESS TO DRAIN
  - (h) AIR OUTLET
  - (i) FUEL FILLING POINT

FUEL TANK OPTIONS:  
190L (STEEL FUEL TANK)

Engine	Engine model
YANMAR	4TNV88
YANMAR	4TNV84T
YANMAR	4TNV98
YANMAR	4TNV98T

DATE:	2013-12-11	NAME:	ALFIE ZHU	REPLACE TO:	
DRAWN:	2013-12-11	REVISOR:	LOUIS YU	REPLACE FOR:	
REVISED:	2013-12-11	APPROVED:	MIGUEL UTRILLAS	 <p><b>HIMOINSA</b> grupos electrógenos</p> <p>THE SHOWN DESIGN IS PROPERTY OF HIMOINSA S.L. MUST NOT BE USED TO MANUFACTURE. COPY OR GIVE TO A THIRD PARTY WITHOUT PREVIOUS PERMISSION OF HIMOINSA S.L.</p>	
APPROVED:	2013-12-11				
Units: mm.	DESCRIPTION:				DRAWING N°:
SCALE:	HYW-17M5 HYW-20T5 HYW-20M5 HYW-35T5 HYW-45T5 ENCLOSURE MODEL: B10 190L STEEL TANK				PART NUMBER:
					REVISION: