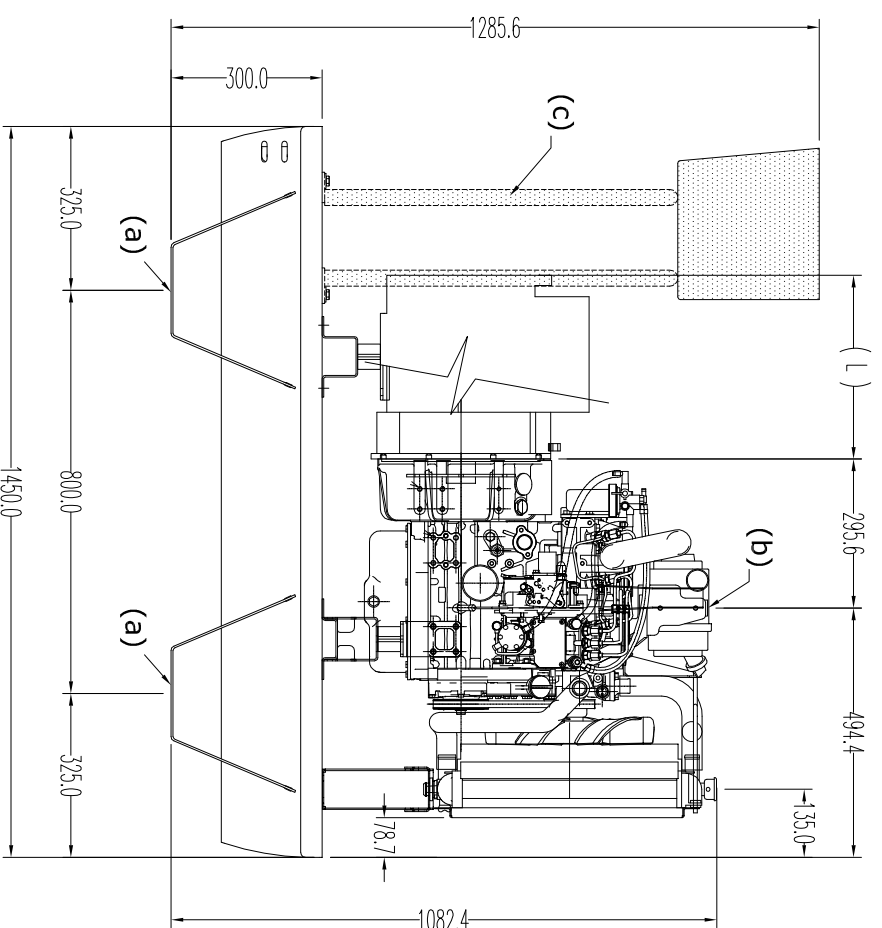
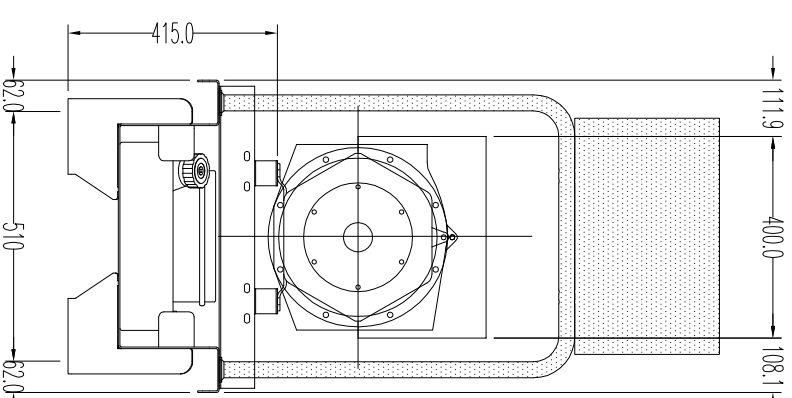


VISTA LATERAL IZQUIERDA
LEFT SIDE VIEW

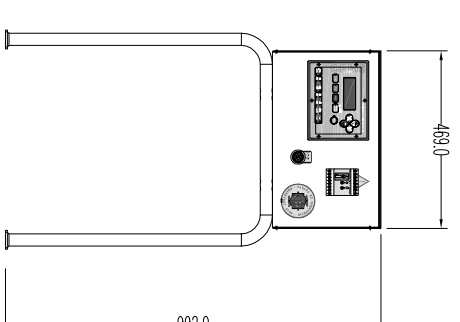


VISTA FRONTAL
FRONT VIEW

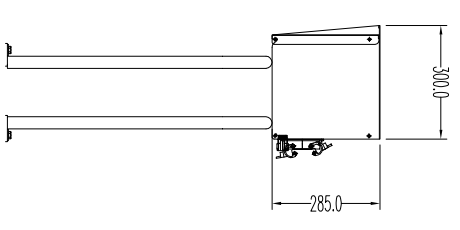


VISTA LATERAL DERECHA
RIGHT VIEW

VISTAS DETALLE CUADROS
DETAIL VIEW PANEL

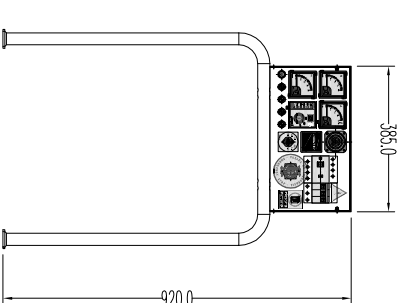


VISTA FRONTAL/FRONT VIEW

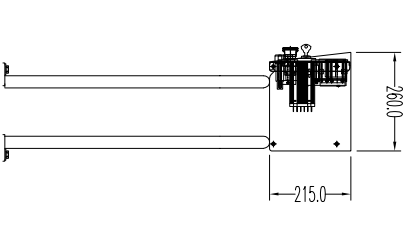


VISTA LATERAL DERECHA
/ RIGHT VIEW

SOPORTE E63/SUPPORT E63



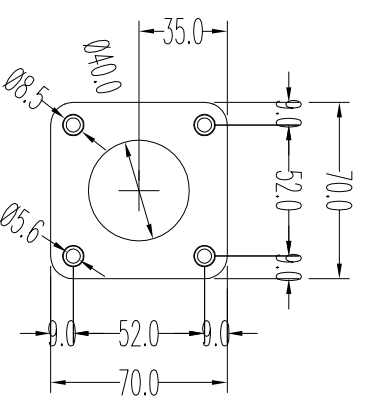
VISTA FRONTAL/FRONT VIEW



VISTA LATERAL DERECHA
/ RIGHT VIEW

COTAS TOTALES / OVERALL DIMEN : W-620,L-1450, H-1285.60
CAPACIDAD DEL DEPOSITO / TANK CAPACITY : 60 LITRES

DETALLE BRIDA MOTOR
/ DETAIL EXHAUST FLANGE



NOTAS / NOTES

- (a) FIJACIÓN GRUPO / FLOOR TO FASTENING (4xØ16mm)
- (b) SALIDA ESCAPE / EXHAUST OUTLET Ø40 mm
- (c) OPCIONAL / OPTIONAL

Motor/Engine	Alternador/Alternator	Modelo Alter. / Alternator model	L
3TNV76	STAMFORD	BCI 164A	WITHOUT PMG WITH PMG
	SYNCRON	SK1605A	-
	MECCALTE	ECO3 2S/4	



HIMOINSA
THE ENERGY

DATE:	NAME:	OLD CODE:
DESIGNED: 20/01/09	JOSE SK.	
REVISED: 20/01/09	A.A GALVEZ	NEW CODE:
APPROVED: 20/01/09	A. PARDO	

DESIGNACIÓN / DESIGNATION: GRUPO ELECTROGENO EST-STD / OPEN SKID GENSET

MOTOR / ENGINE: YANMAR 3TNV76
CHASIS MODELO / BASE FRAME: K1



DRAWING N°:

CODE: GEE-00011-K1

REVISION: 01 DIN-A3

UNIT: mm SCALE: 1/15

ESCALA / SCALE : 1/3