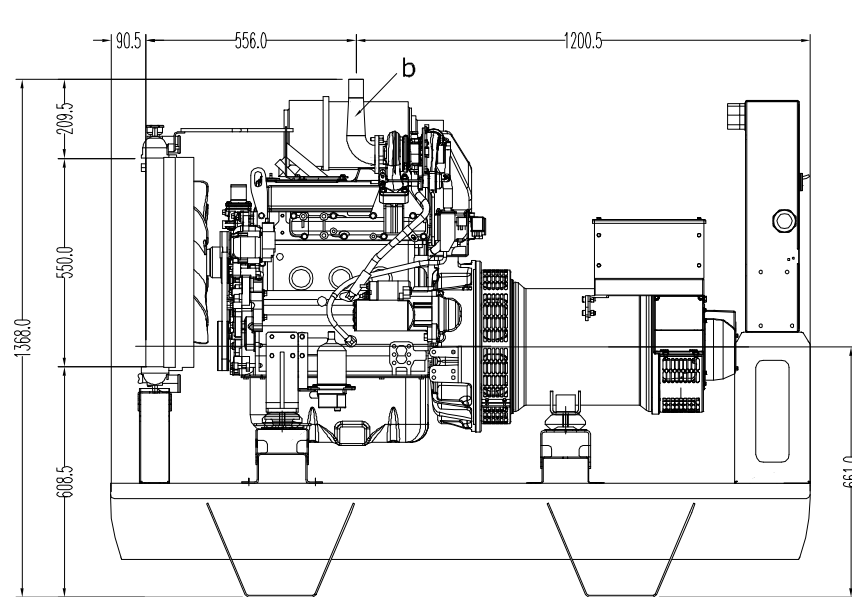
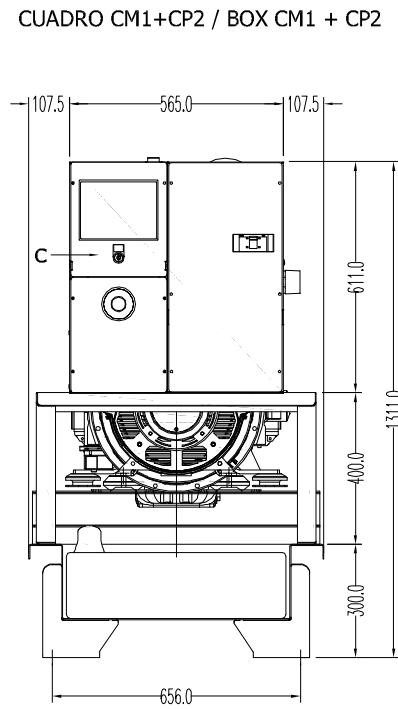


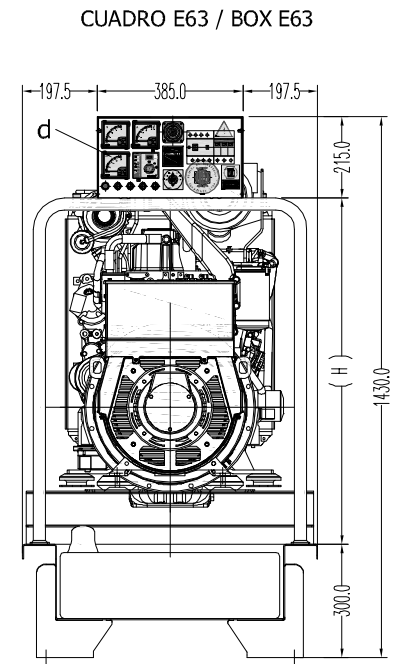
VISTA FRONTAL
FRONT VIEW



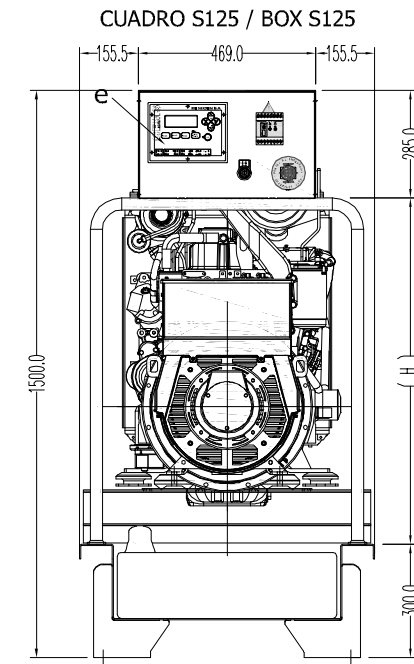
VISTA LATERAL IZQUIERDA
LEFT LATERAL VIEW



VISTA POSTERIOR
REAR VIEW

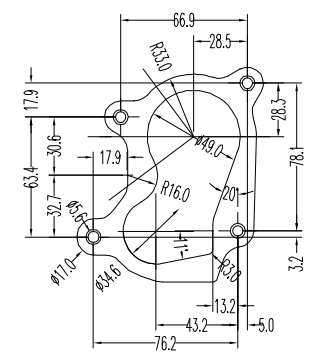


VISTA POSTERIOR
REAR VIEW

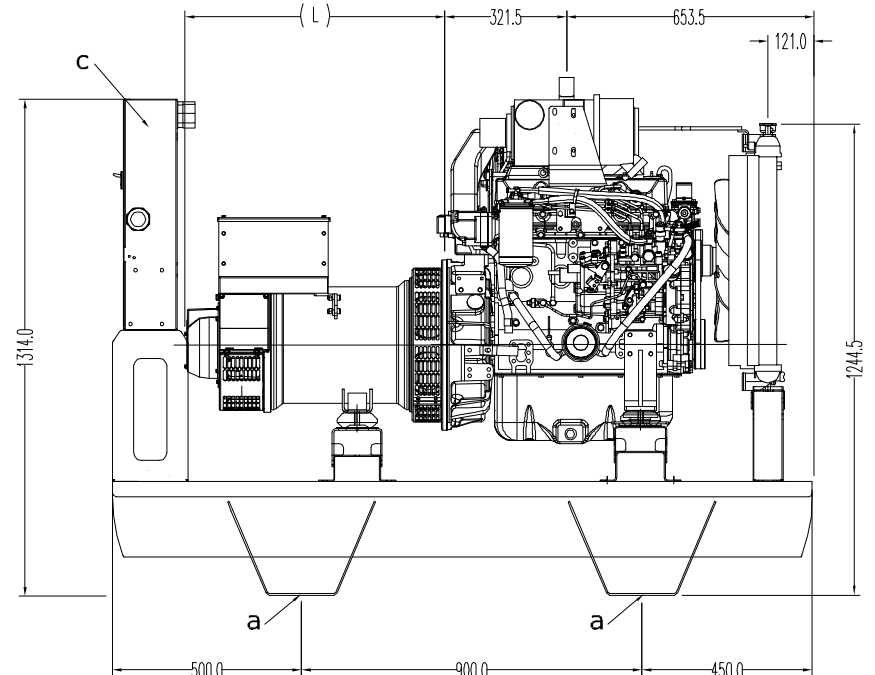


VISTA POSTERIOR
REAR VIEW

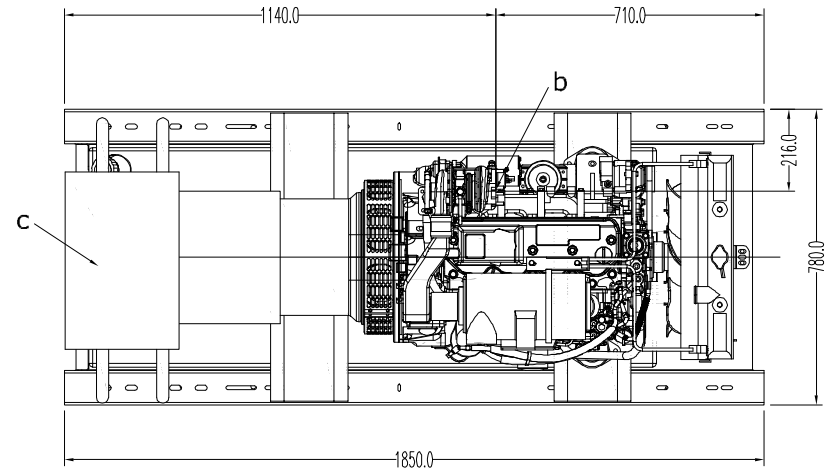
DETALLE BRIDA MOTOR /
DETAIL EXHAUST FLANGE



ESCALA / SCALE : 1/4



VISTA LATERAL DERECHA
RIGHT LATERAL VIEW



VISTA SUPERIOR
UPPER VIEW

CAPACIDAD DEL DEPOSITO /
TANK CAPACITY : 120 LITRES

MODELO SOPORTE / SUPPORT MODEL	H
SOPORTE B / SUPPORT B	992
SOPORTE C / SUPPORT C	1200

Motor/Engine	Alternador/Alternator	Modelo Alter. / Alternator model	L	
			WITHOUT PMG-EDB	WITH PMG-EDB
4TNV98T GGE	MECCALTE	ECO 32-1L/4	726	0
	MECCALTE	ECO 32-2L/4	726	0
	MECCALTE	ECO 32-3L/4	726	0
	MECCALTE	ECO 32-3S/4	601	0
	STAMFORD	UCI 224 D	647	710
	STAMFORD	UCI 224 E	737	800
	STAMFORD	PI 144 J	594	676
	STAMFORD	PI 144 K	609	691

	NOTAS	NOTES
a	FIJACIÓN GRUPO (4xØ16mm)	FLOOR TO FASTENING (4xØ16mm)
b	SALIDA ESCAPE Ø 45 mm	EXHAUST OUTLET Ø 45 mm
c	OPCIONAL CUADRO CM1+CP2	OPTIONAL BOX CM1+CP2
d	OPCIONAL CUADRO E63	OPTIONAL BOX E63
e	OPCIONAL CUADRO S125	OPTIONAL BOX S125



DESIGNED:	DATE: 09/12/10	NAME: A.M.	OLD CODE:
REVISED:	16/07/13	SK	NEW CODE:
APPROVED:	16/07/13	A.P.	The actual design is HIMOINSA S.L property. It can not be used for construction of the showed item, reproduced or communicated to third parts without the previous authorisation of the above mentioned company.

	DESIGNACIÓN / DESIGNATION:	DRAWING N°:
	GRUPO ELECTROGENO EST-STD / OPEN SKID GENSET	CODE: GEE-00013-K3
	MOTOR / ENGINE: YANMAR 4TNV98T GGE	REVISION: 03 DIN- A3
	CHASIS MODELO / BASE FRAME: K3	UNIT: mm SCALE: 1/15