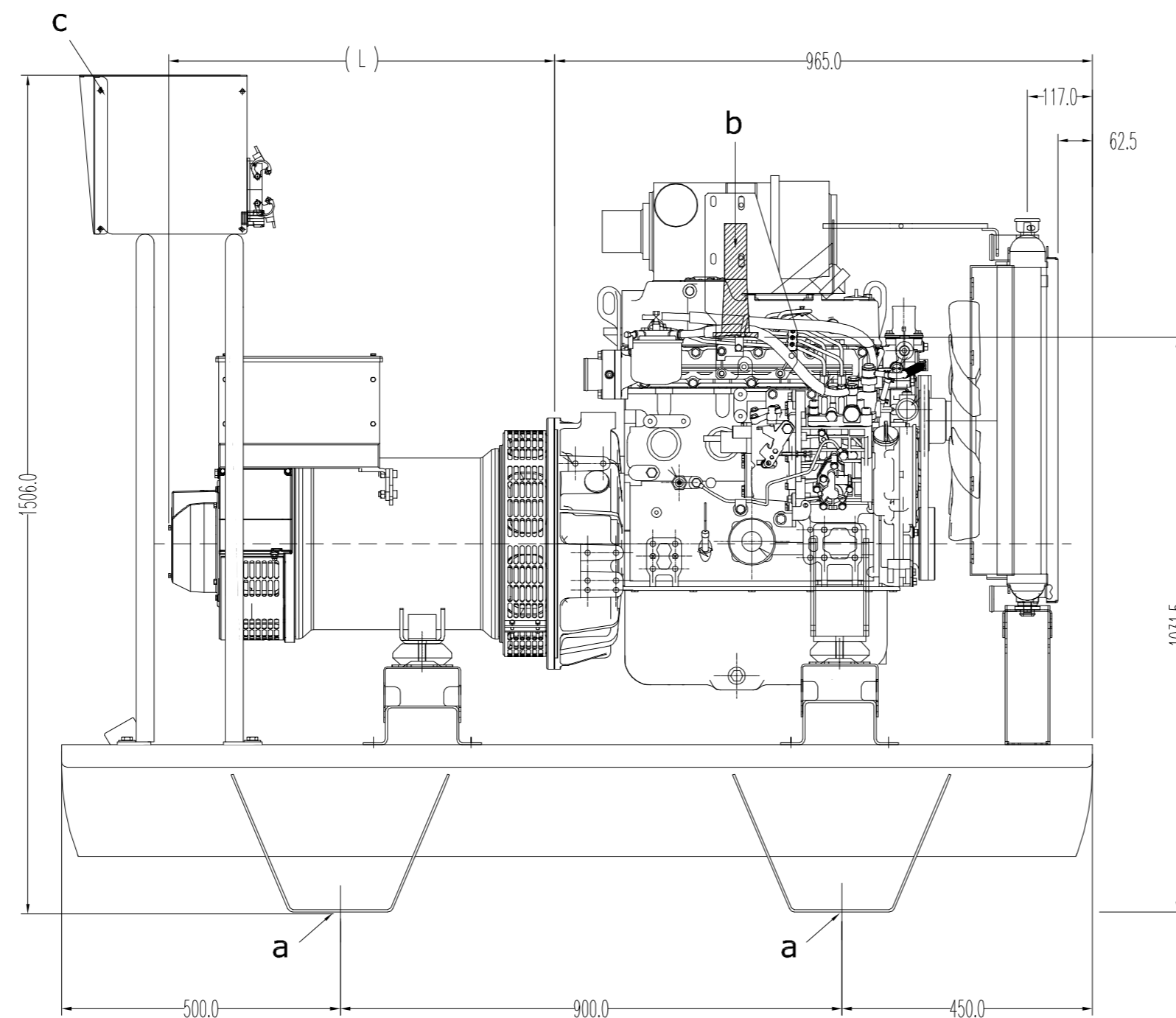
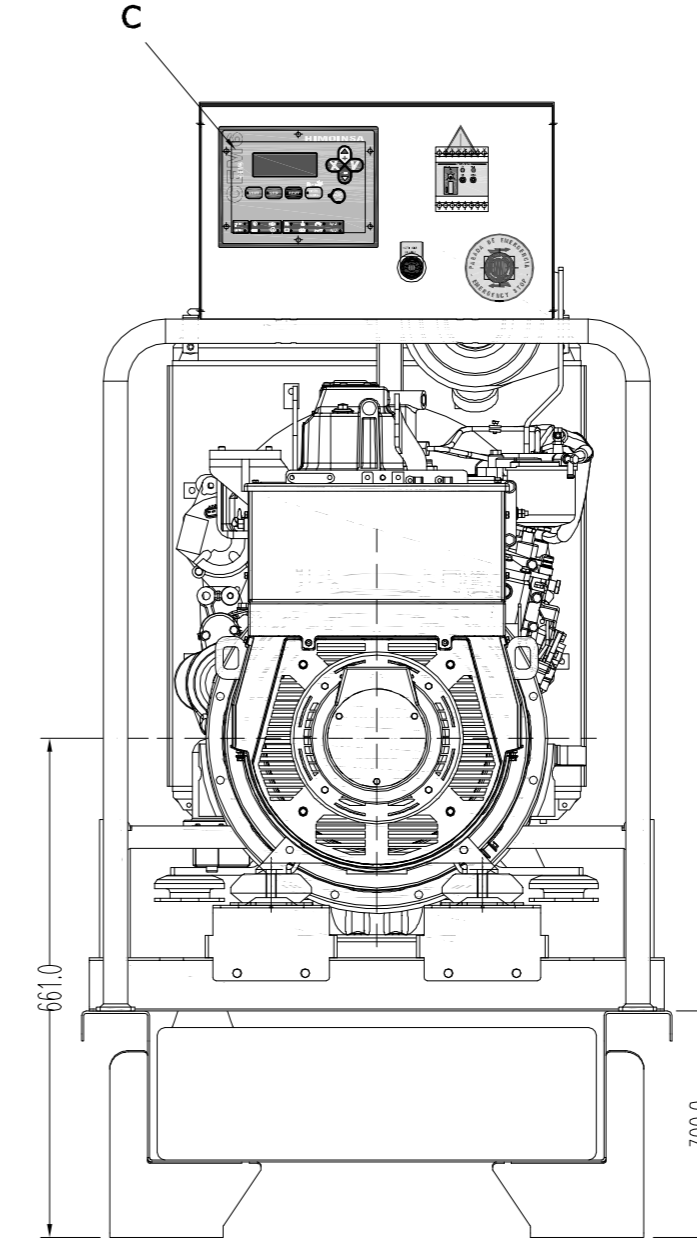


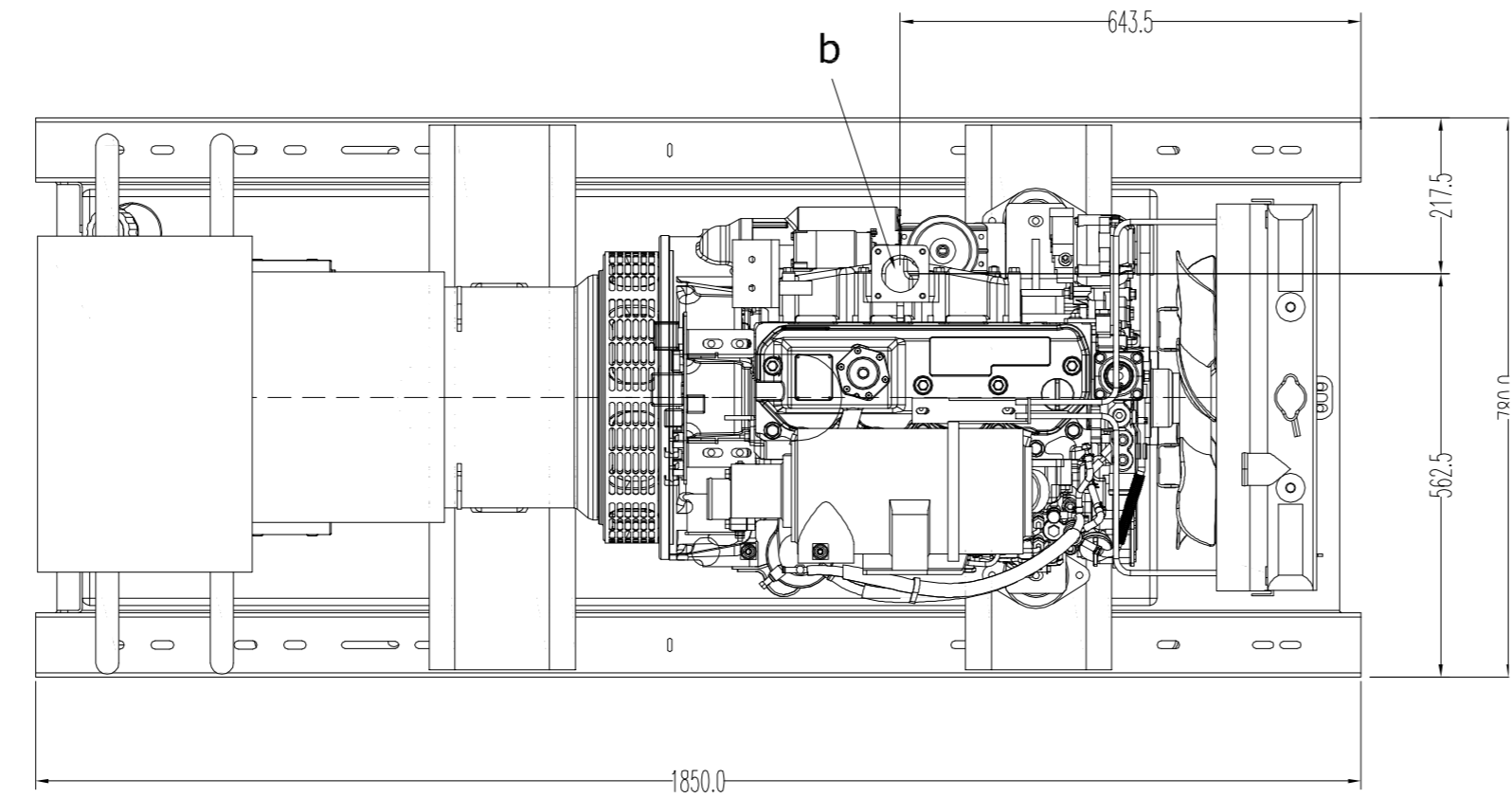
VISTA LATERAL IZQUIERDA
LEFT SIDE VIEW



VISTA FRONTAL
FRONT VIEW

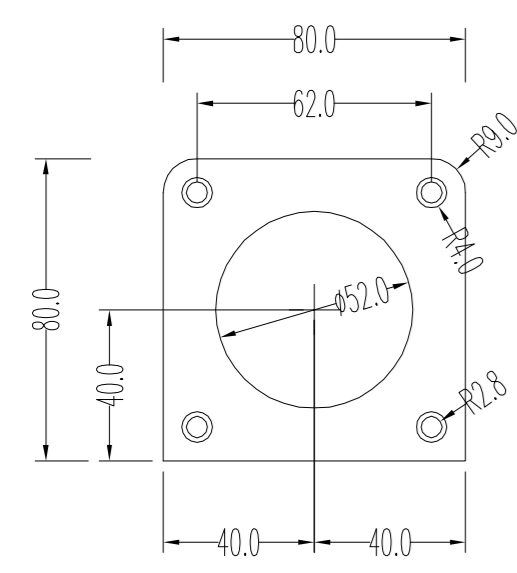


VISTA LATERAL DERECHA
RIGHT VIEW



VISTA SUPERIOR
UPPER VIEW

DETALLE BRIDA MOTOR /
DETAIL EXHAUST FLANGE



ESCALA / SCALE : 1/2

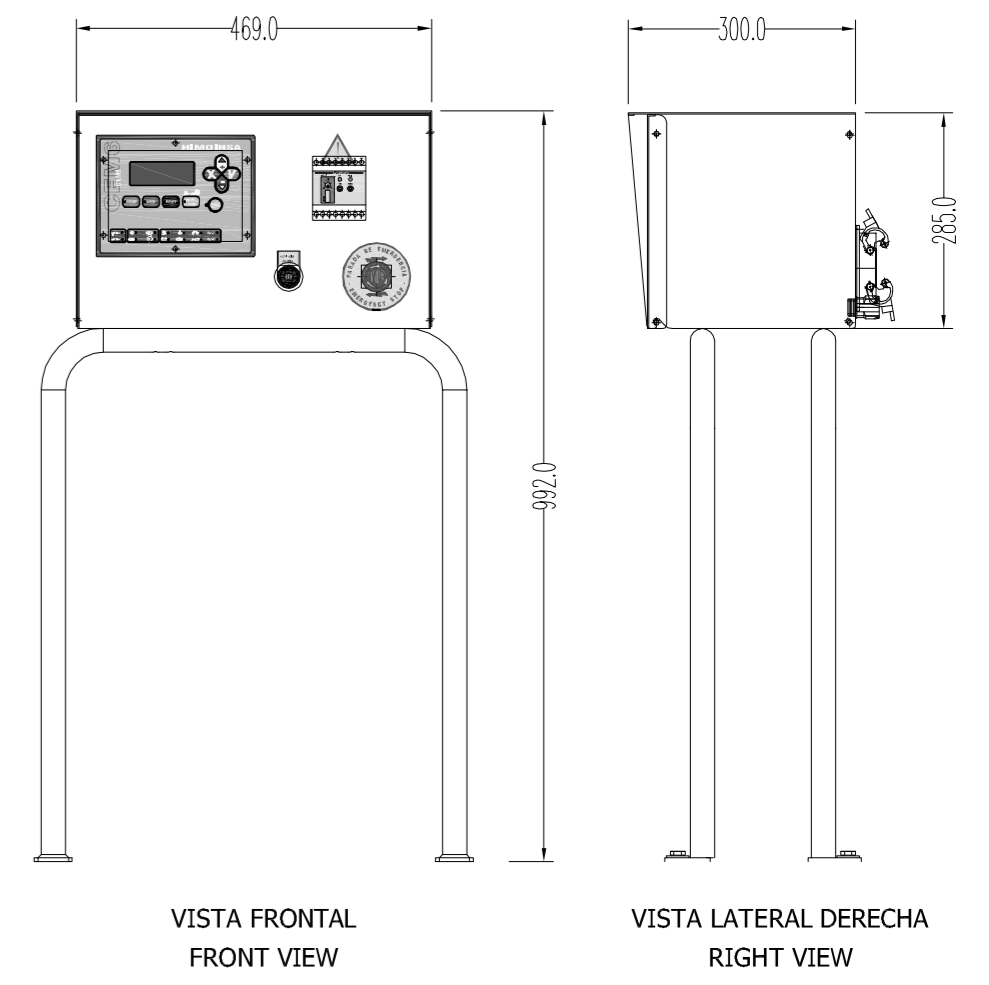
Motor/Engine	Alternador/Alternator	Modelo Alter. / Alternator model	L	
			WITHOUT PMG	WITH PMG
4TNV98 GGE	STAMFORD	PI 144 G	539	621
	STAMFORD	PI 144 H	564	646
	STAMFORD	PI 144 K	609	691
	HIMOINSA	HM 200 A2	601	-
	HIMOINSA	HM 200 A3	601	-
	HIMOINSA	HM 200 B1	726	-

CAPACIDAD DEL DEPOSITO / TANK CAPACITY : 120 LITRES

	NOTAS	NOTES
a	FIJACIÓN GRUPO (4xØ16mm)	FLOOR TO FASTENING (4xØ16mm)
b	SALIDA ESCAPE Ø 45 mm	EXHAUST OUTLET Ø 45 mm
c	OPCIONAL	OPTIONAL

VISTAS DETALLE CUADROS
DETAIL VIEW PANEL

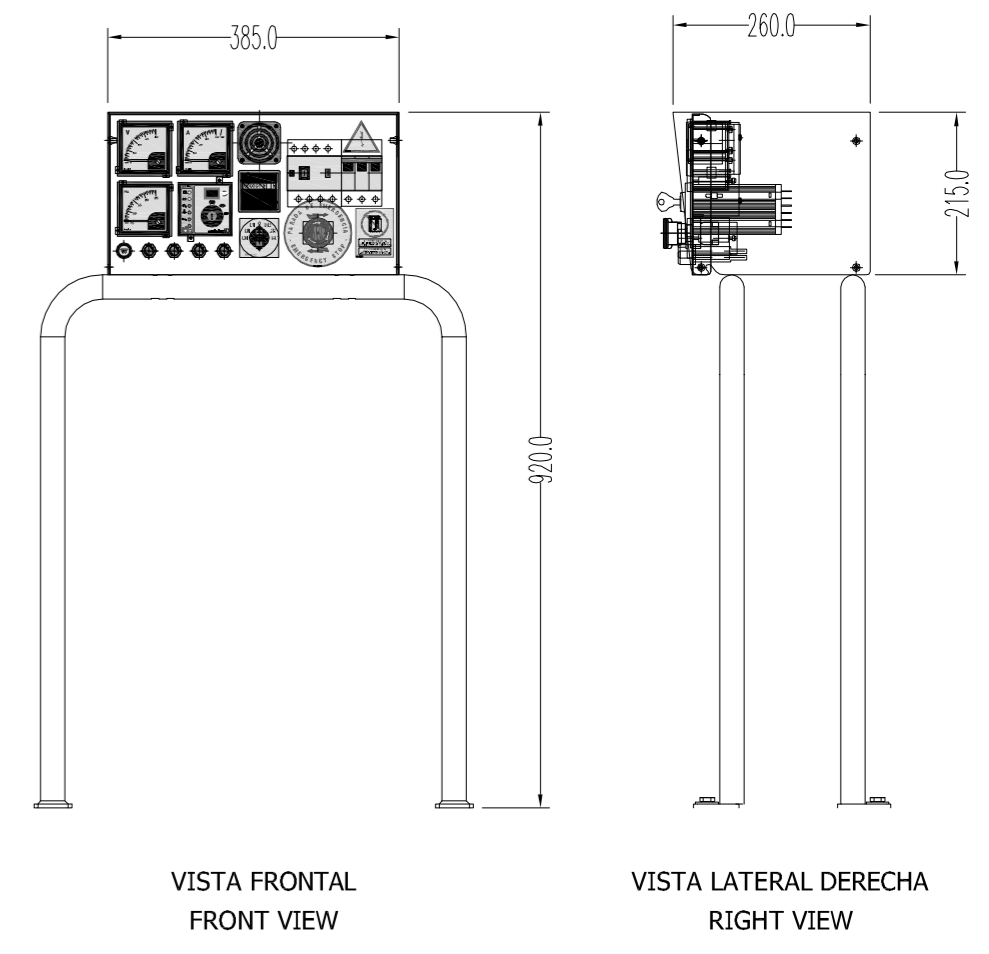
SCEM - SOPORTE S125A/SUPPORT S125A



VISTA FRONTAL
FRONT VIEW

VISTA LATERAL DERECHA
RIGHT VIEW

E63 - SOPORTE S125A/SUPPORT S125A



VISTA FRONTAL
FRONT VIEW

VISTA LATERAL DERECHA
RIGHT VIEW

	DATE: 09/12/10	NAME: A.M.	OLD CODE:
	DESIGNED: 19/12/13	SK	NEW CODE:
	APPROVED: 19/12/13	A.P.	<small>The actual design is HIMOINSA S.L. property. It can not be used for construction of the showed item, reproduced or communicated to third parts without the previous authorisation of the above mentioned company.</small>
DESIGNACIÓN / DESIGNATION: GRUPO ELECTROGENO EST-STD / OPEN SKID GENSET MOTOR / ENGINE: YANMAR 4TNV98 GGE CHASIS MODELO / BASE FRAME: K3			
			REVISION: 04 DIN- A3
			UNIT: mm SCALE: 1/10