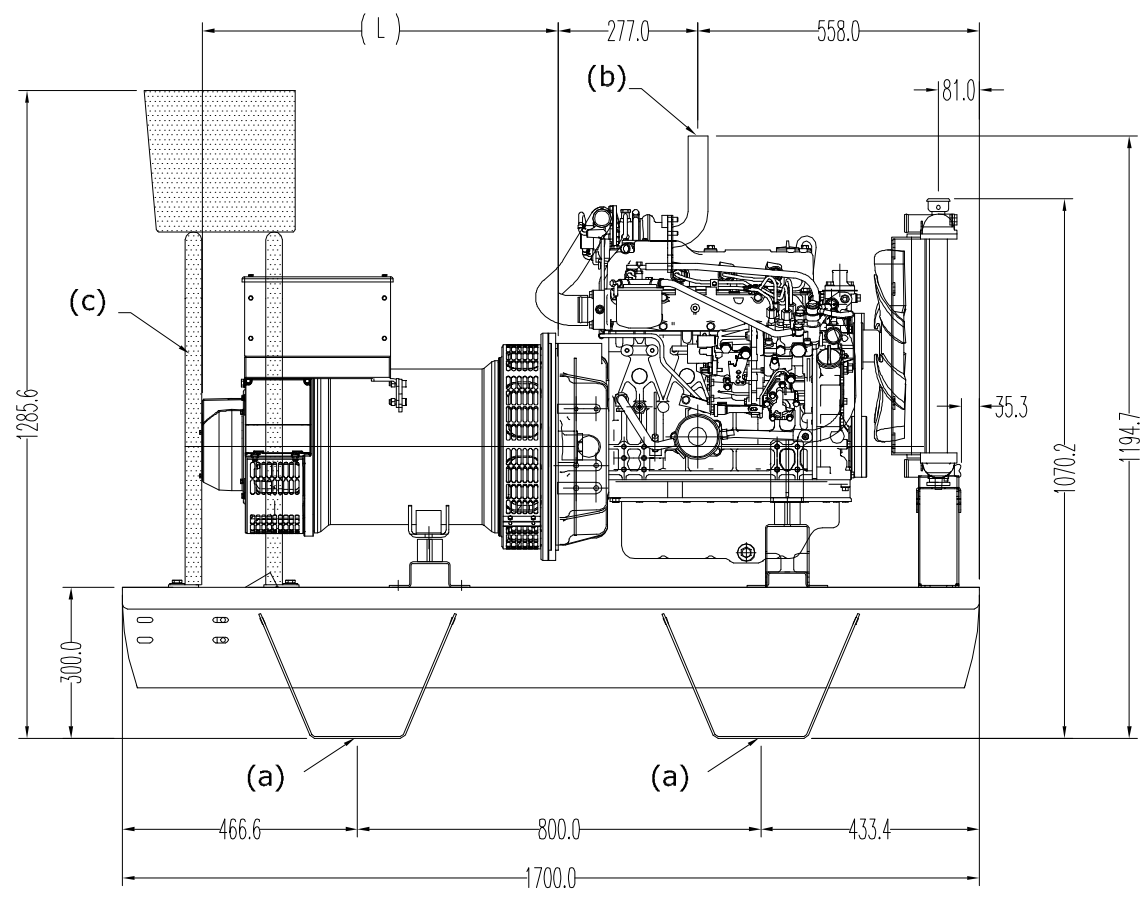
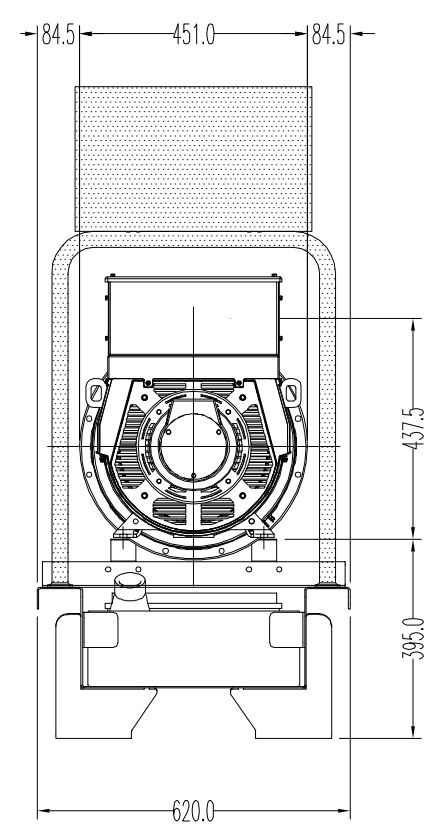


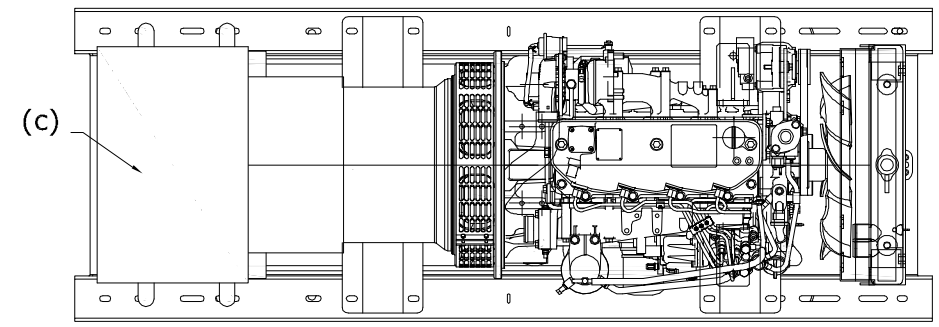
VISTA LATERAL IZQUIERDA
LEFT SIDE VIEW



VISTA FRONTAL
FRONT VIEW

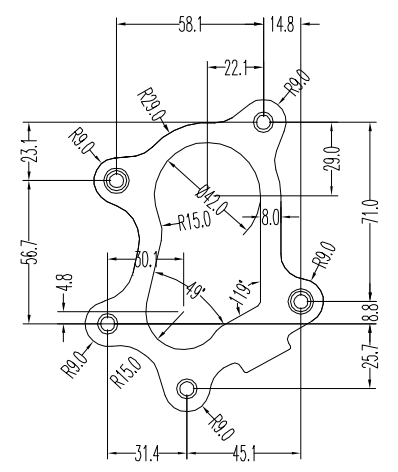


VISTA LATERAL DERECHA
RIGHT VIEW



VISTA SUPERIOR
UPPER VIEW

DETALLE BRIDA MOTOR
/ DETAIL EXHAUST FLANGE



ESCALA / SCALE : 1/3

CAPACIDAD DEL DEPOSITO / TANK CAPACITY : 76 LITRES

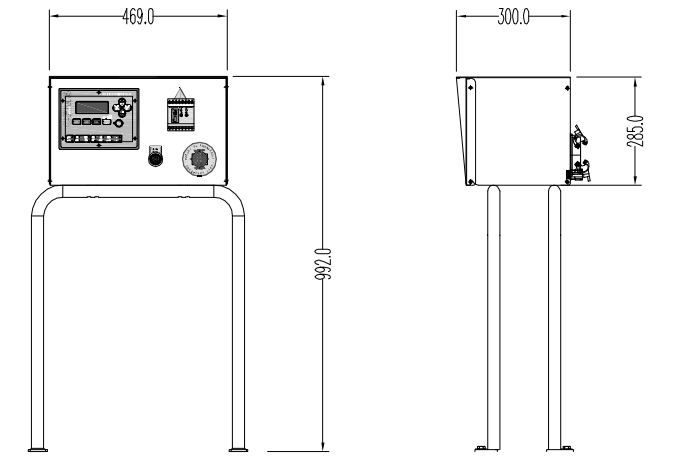
Motor/Engine	Alternador/Alternator	Modelo Alter. / Alternator model	L	
			WITHOUT PMG	WITH PMG
4TNV84T GGE	STAMFORD	PI 144E	-	-
	STAMFORD	BCI 184G	521.50	-
	MECCALTE	ECO28 1L/4	-	-

NOTAS / NOTES

- (a) FIJACIÓN GRUPO / FLOOR TO FASTENING (4xØ16mm)
- (b) SALIDA ESCAPE / EXHAUST OUTLET Ø34.7 mm
- (c) OPCIONAL / OPTIONAL

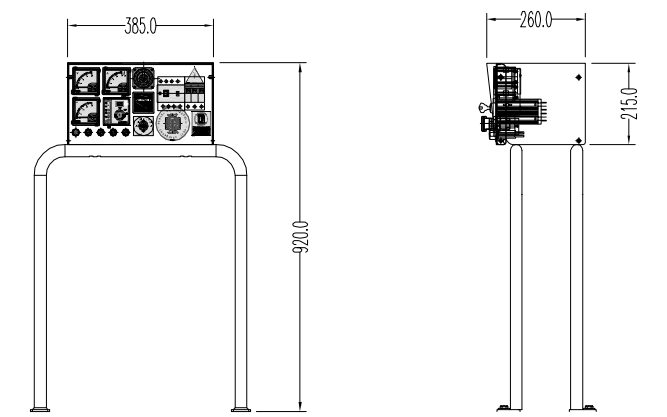
VISTAS DETALLE CUADROS
DETALL VIEW PANEL

SCEM - SOPORTE S125A/SUPPORT S125A



VISTA FRONTAL/FRONT VIEW VISTA LATERAL DERECHA / RIGHT VIEW

E63 - SOPORTE S125A/SUPPORT S125A



VISTA FRONTAL/FRONT VIEW VISTA LATERAL DERECHA / RIGHT VIEW

DESIGNED:	DATE: 20/01/09	NAME: SK.	OLD CODE:
REVISED:	12/09/11	SK.	NEW CODE:
APPROVED:	12/09/11	A.P.	
The actual design is HIMOINSA S.L. property. It can not be used for construction of the showed item, reproduced or communicated to third parts without the previous authorisation of the above mentioned company.			

	DESIGNACIÓN / DESIGNATION: GRUPO ELECTROGENO EST-STD / OPEN SKID GENSET MOTOR / ENGINE: 4TNV84T GGE CHASIS MODELO / BASE FRAME: K2	DRAWING N°:
		CODE: GEE-00016-K2
		REVISION: DIN- A3
		UNIT: mm SCALE: 1/15