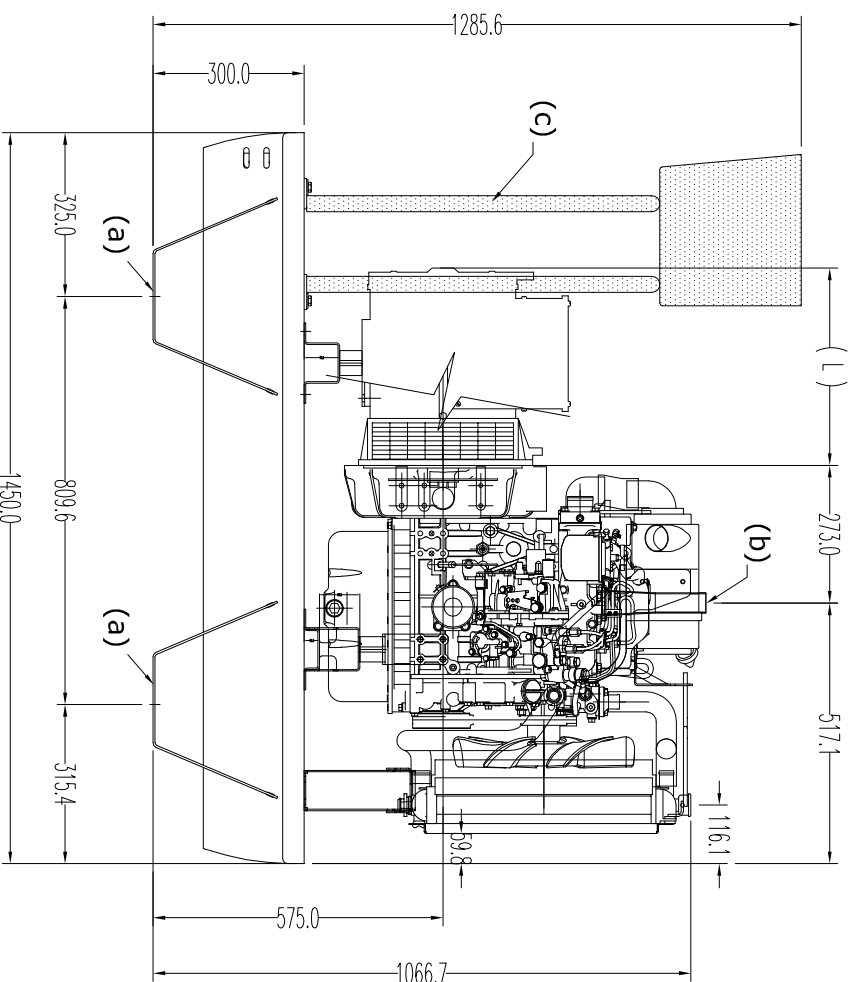
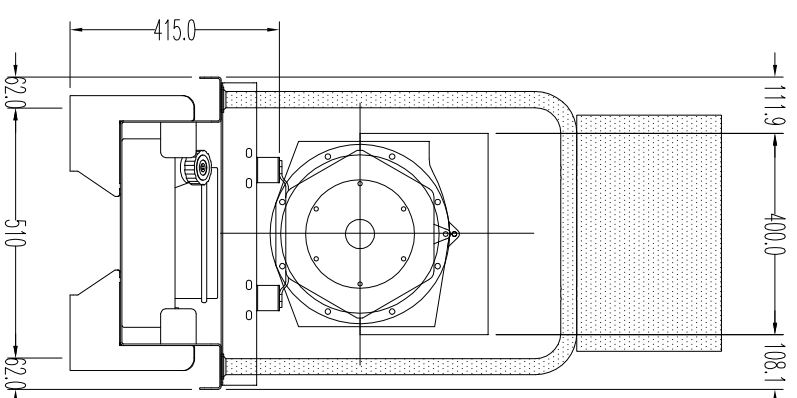


VISTA LATERAL IZQUIERDA
LEFT SIDE VIEW



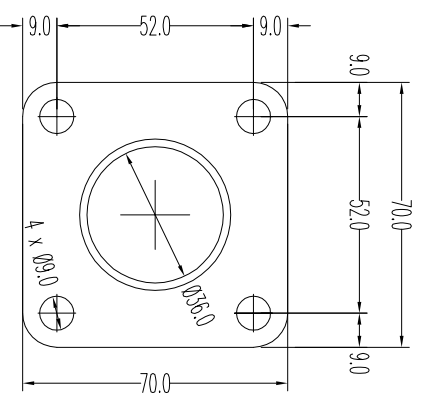
VISTA FRONTAL
FRONT VIEW



VISTA LATERAL DERECHA
RIGHT VIEW

COTAS TOTALES / OVERALL DIMEN : W-620,L-1450, H-1285.60
CAPACIDAD DEL DEPOSITO / TANK CAPACITY : 60 LITRES

DETALLE BRIDA MOTOR
/ DETAIL EXHAUST FLANGE



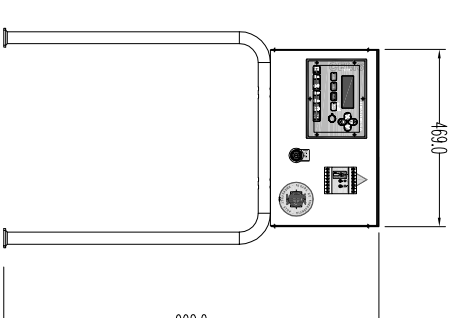
ESCALA / SCALE : 1/2

NOTAS / NOTES

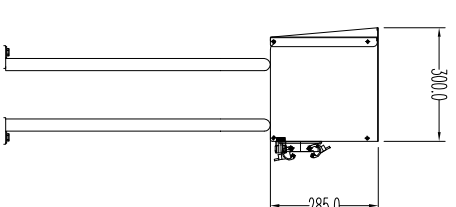
- (a) FLAJACIÓN GRUPO / FLOOR TO FASTENING (4xØ16mm)
- (b) SALIDA ESCAPE / EXHAUST OUTLET Ø36 mm
- (c) OPCIONAL / OPTIONAL

Motor/Engine	Alternador/Alternator	Modelo Alter. / Alternator model	L	
			WITHOUT PMS	WITH PMS
3TNV88 GGE	STAMPFORD	BCI 164C	391.50	-
	STAMPFORD	BCI 184E	431.50	-
	MARELLI	MJB160SC4		
	MECCALTE	ECO3 2LN/4		
	SYNCR0	SK160CA1		
	SYNCR0	SK160CB		
	SYNCR0	SK160MB		

VISTAS DETALLE CUADROS
DETAIL VIEW PANEL

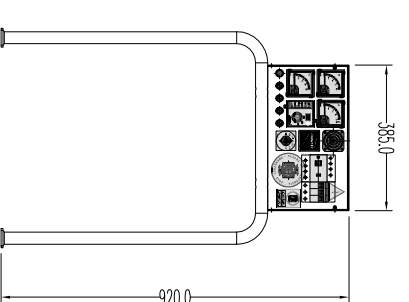


VISTA FRONTAL/FRONT VIEW

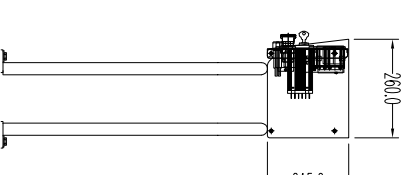


VISTA LATERAL DERECHA
/ RIGHT VIEW

SOPORTE E63/SUPPORT E63



VISTA FRONTAL/FRONT VIEW



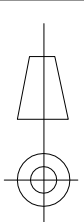
VISTA LATERAL DERECHA
/ RIGHT VIEW



HIMOINSA
THE ENERGY

DATE:	NAME:	OLD CODE:	DESIGNACIÓN / DESIGNATION: GRUPO ELECTROGENO EST-STD / OPEN SKID GENSET MOTOR / ENGINE: YANMAR 3TNV88 GGE CHASIS MODELO / BASE FRAME: K1
DESIGNED:	JOSE SK.	NEW CODE:	
REVISED:	A.A GALVEZ		
APPROVED:	A. PARDO		

The actual design is HIMOINSA S.L. property. It can not be used for construction of the showed item, reproduced or communicated to third parts without the previous authorisation of the above mentioned company.



DRAWING N°:

CODE : GEE-00021-K1

REVISION: 01 DIN- A3

UNIT: mm SCALE: 1/15