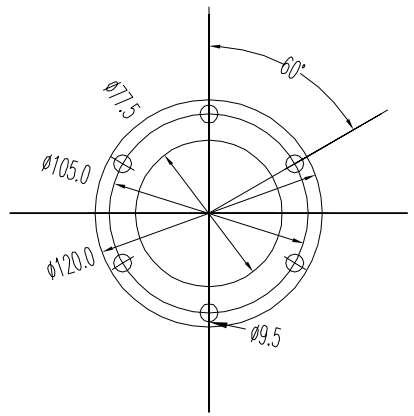


VISTA LATERAL IZQUIERDA  
LEFT SIDE VIEW

VISTA FRONTAL  
FRONT VIEW

VISTA LATERAL DERECHA  
RIGHT VIEW

DETALLE BRIDA MOTOR  
/ DETAIL EXHAUST FLANGE



ESCALA / SCALE : 1/3

CAPACIDAD DEL DEPOSITO / TANK CAPACITY : 170 LITRES

	NOTAS	NOTES
a	FIJACIÓN GRUPO (4xØ16mm)	FLOOR TO FASTENING (4xØ16mm)
b	SALIDA ESCAPE Ø77.5 mm	EXHAUST OUTLET Ø77.5 mm
c	OPCIONAL	OPTIONAL

Motor/Engine	Alternador/Alternator	Modelo Alter. / Alternator model	L	
			WITHOUT PMG	WITH PMG
NEF45 TM2A	STAMFORD	UCI274G	901	964



DESIGNED:	25/05/10	A.C.	OLD CODE:	
REVISED:	09/05/11	SK.	NEW CODE:	
APPROVED:	09/05/11	A.P.	The actual design is HIMOINSA S.L. property. It can not be used for construction of the showed item, reproduced or communicated to third parts without the previous authorisation of the above mentioned company.	

	DESIGNACIÓN / DESIGNATION:	GRUPO ELECTROGENO EST-STD / OPEN SKID GENSET	
	MOTOR / ENGINE:	IVECO NEF45 TM2A	
	CHASIS MODELO / BASE FRAME:	K5	
	DRAWING N°:	GEE-00079-K5	
CODE:	GEE-00079-K5		
REVISION:			DIN- A3
UNIT:	mm	SCALE:	1/15