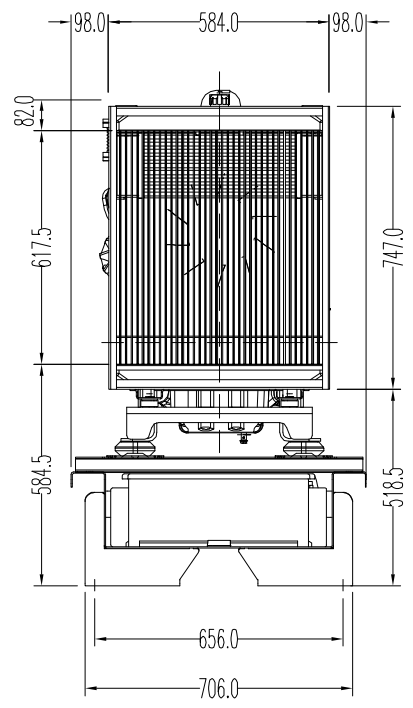
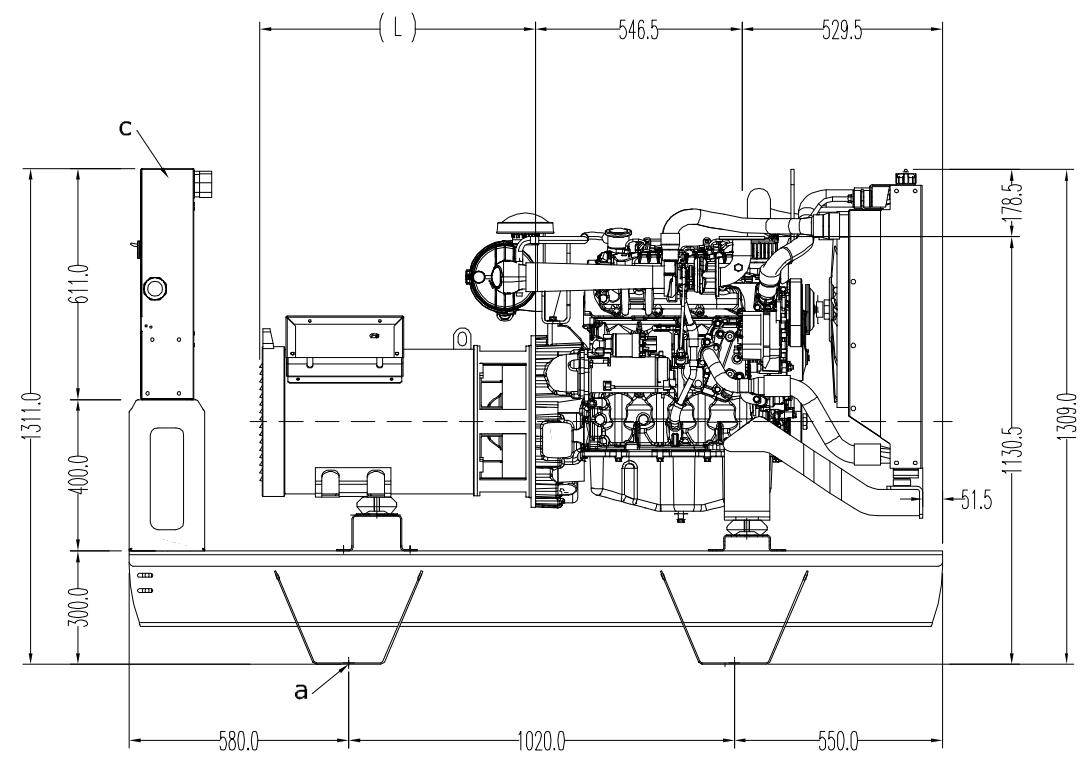


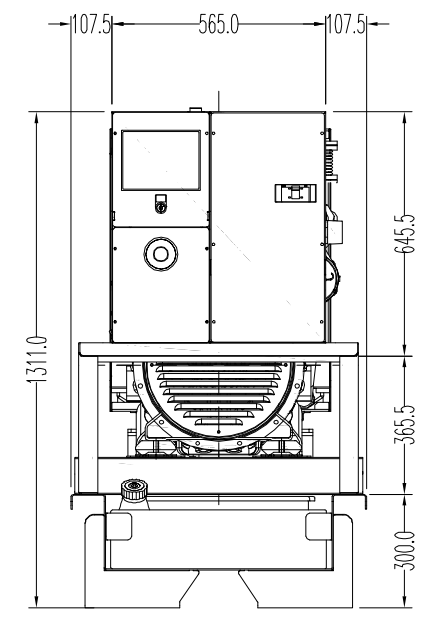
A
B
C
D
E
F
G
H
I
J
K
L
LL
M
N
O
P



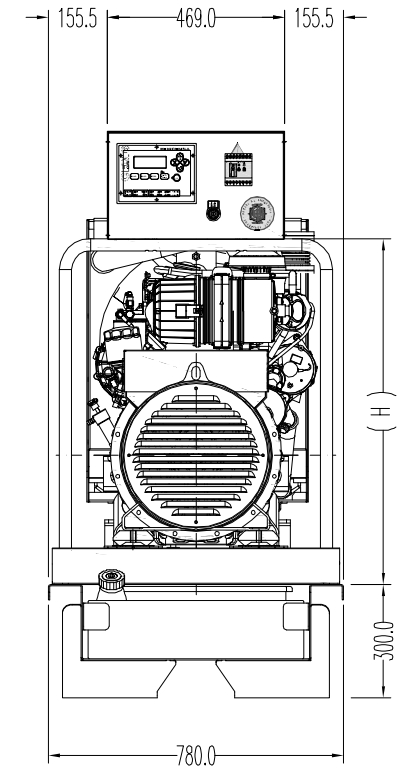
VISTA LATERAL IZQUIERDA
LEFT SIDE VIEW



VISTA FRONTAL
FRONT VIEW

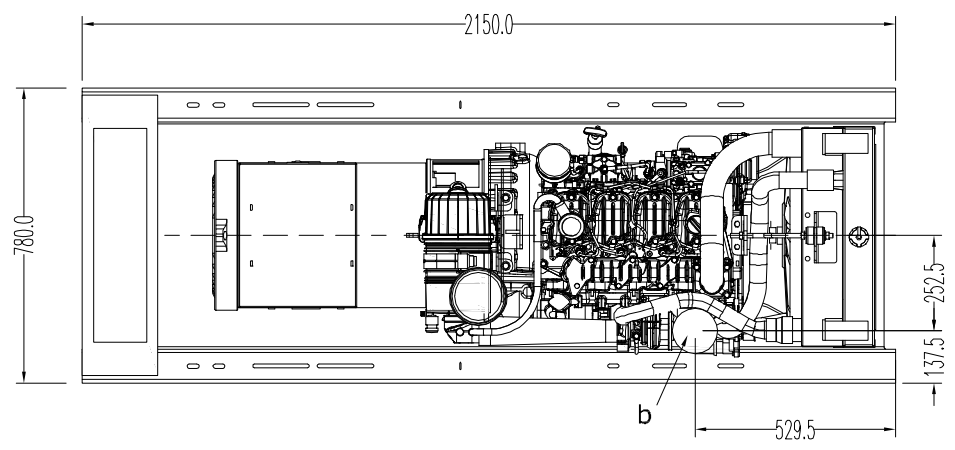


VISTA LATERAL DERECHA
RIGHT VIEW
CUADRO/BOX CM1+CP2



VISTA LATERAL DERECHA
RIGHT VIEW
CUADRO/BOX S125

CAPACIDAD DEL DEPOSITO /
TANK CAPACITY : 145 LITRES

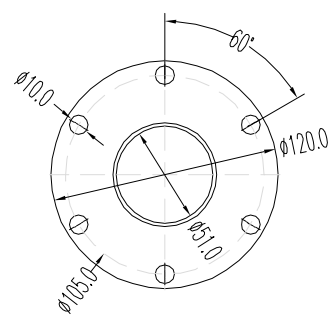


VISTA SUPERIOR
TOP VIEW

	NOTAS	NOTES
a	FIJACIÓN GRUPO (4xØ16mm)	FLOOR TO FASTENING (4xØ16mm)
b	SALIDA ESCAPE Ø43 mm	EXHAUST OUTLET Ø43mm
c	OPCIONAL CUADRO CM1+CP2	OPTIONAL BOX CM1+CP2
d	OPCIONAL CUADRO S125	OPTIONAL BOX S125

MODELO SOPORTE / SUPPORT MODEL	H
SOPORTE B / SUPPORT B	992
SOPORTE C / SUPPORT C	1200

DETALLE BRIDA MOTOR
/ DETAIL EXHAUST FLANGE



ESCALA / SCALE : 1/4

Motor/Engine	Alternador/Alternator	Modelo Alter. / Alternator model	L	
			WITHOUT PMG	WITH PMG
F32 TM1A	HIMOINSA	HM 200 B1	726	
	HIMOINSA	HM 200 B2	726	
	MECCALTE	ECO32 1L/4	726	
	MECCALTE	ECO32 2L/4	726	
	STAMFORD	UCI 224 D	647	710



DESIGNED:	13/04/12	SK	OLD CODE:	
REVISED:	04/04/14	SK	NEW CODE:	
APPROVED:	04/04/14	A.P.	The actual design is HIMOINSA S.L. property. It can not be used for construction of the showed item, reproduced or communicated to third parts without the previous authorisation of the above mentioned company.	

	DESIGNACIÓN / DESIGNATION:	DRAWING N°:		
	GRUPO ELECTROGENO EST-STD / OPEN SKID GENSET	CODE:	GEE-00138-K4	
	MOTOR / ENGINE: IVECO F32TM1A	REVISION:	02	DIN- A3
	CHASIS MODELO / BASE FRAME: K4	UNIT:	mm	SCALE: 1/20