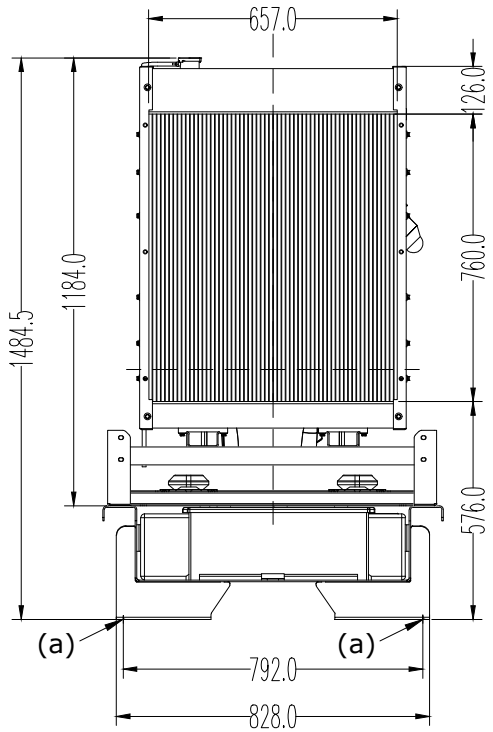
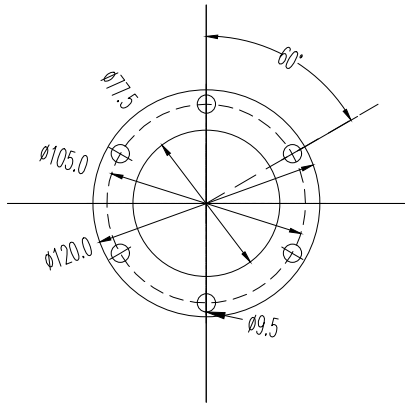


A
B
C
D
E
F
G
H
I
J
K
L
LL
M
N
O
P



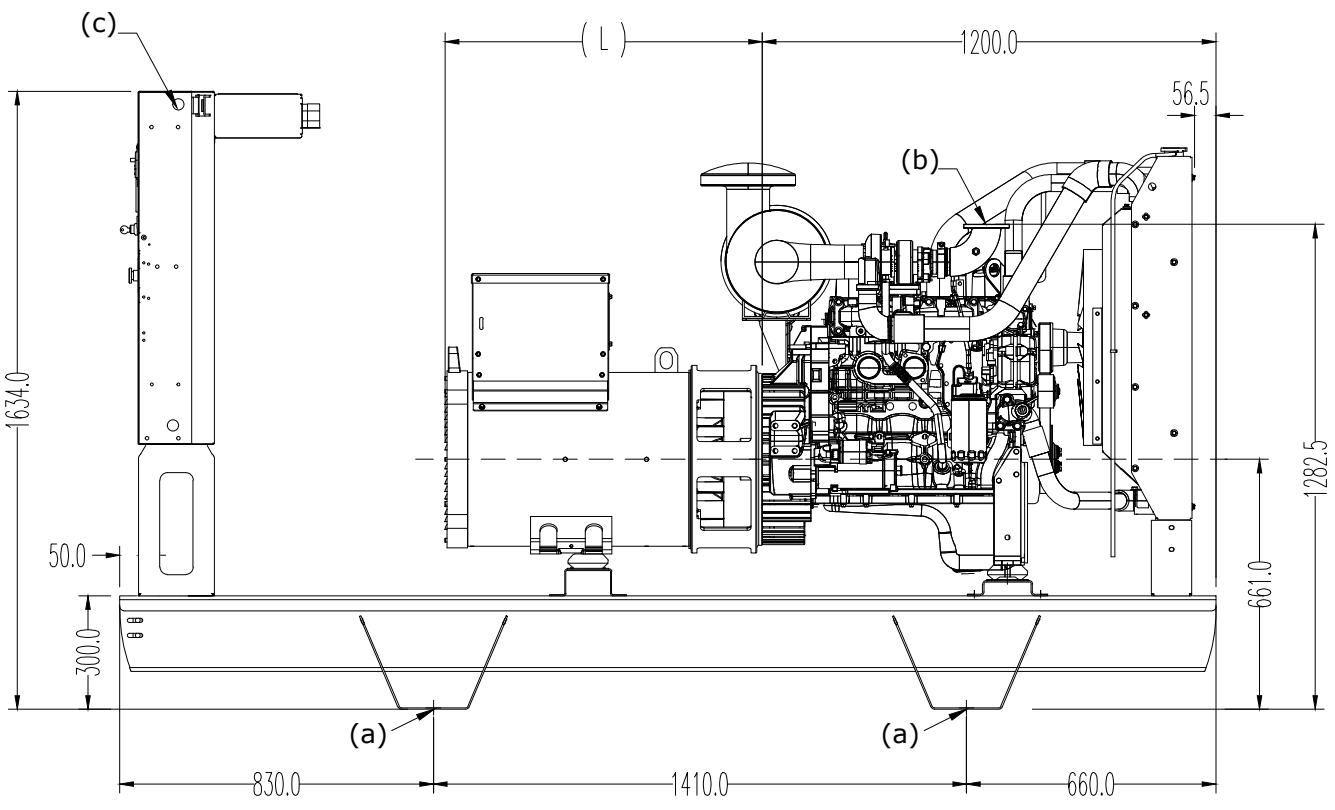
VISTA FRONTAL
FRONT VIEW

DETALLE BRIDA MOTOR
/ DETAIL EXHAUST FLANGE

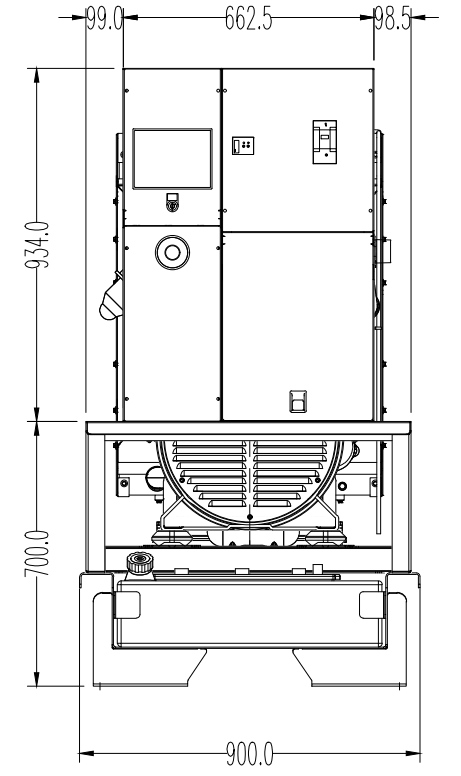


ESCALA / SCALE : 1/3

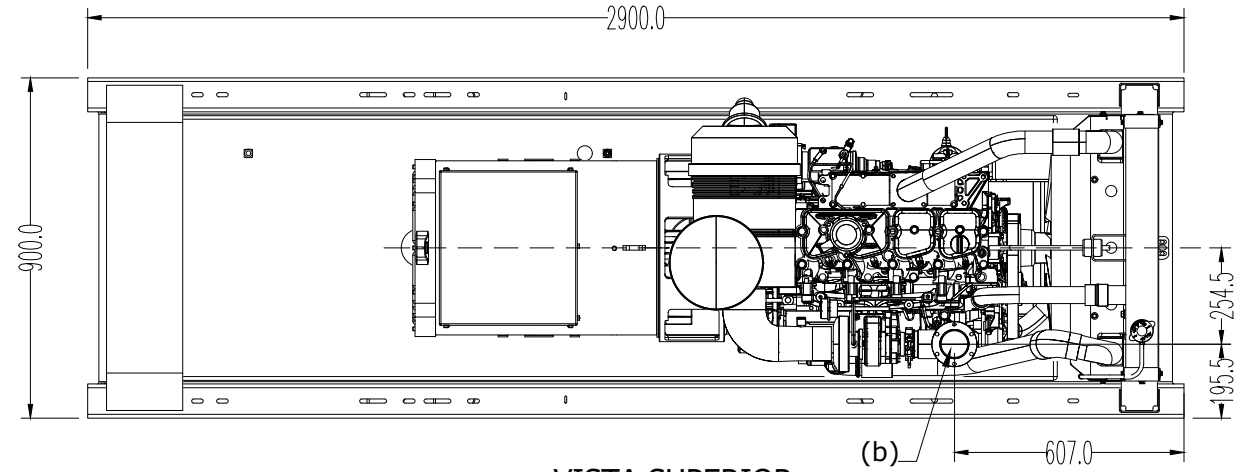
Marca motor / Engine brand	Modelo motor / Engine model
FPT	NEF45TM2A
	NEF45TM3
	NEF45TM5
YANMAR	4F104TM2A.GL 4F104TM3.GL



VISTA LATERAL DERECHA
LATERAL RIGHT VIEW



VISTA POSTERIOR
REAR VIEW



VISTA SUPERIOR
UPPER VIEW

	NOTAS	NOTES
a	FIJACIÓN GRUPO (4x Ø16mm)	FLOOR TO FASTENING (4x Ø16mm)
b	SALIDA ESCAPE Ø77.5 mm	EXHAUST OUTLET Ø77.5 mm
c	OPCIONAL	OPTIONAL

Alternador/Alternator	Modelo Alter. / Alternator model	L	
		WITHOUT PMG	WITH PMG
STAMFORD	UCI274G	901	964

HIMOINSA®

THE ENERGY

Date:	Name:	Information and data contained in this document is non-binding in nature and is made available exclusively for informational purposes. Any implicit warranty regarding merchantable conditions or suitability for certain purposes is excluded. Only updated information contained or referred-to in a Purchase Order duly confirmed by writing by HIMOINSA shall be considered legally binding.	
Designed: 21/06/13	SK		
Revised: 17/09/20	SK		
Approved: 17/09/20	A.P.		

	Designación / Designation: GRUPO ELECTROGENO EST-STD / OPEN SKID GENSET MOTOR / ENGINE: FPT, YANMAR CHASIS MODELO / BASE FRAME: K6	Status: RELEASED
		Code: GEE-00219-K6
		Revision: 02 Din-A3
		Unit: mm Scale: 1/20

CAPACIDAD DEL DEPOSITO / TANK CAPACITY : 250 LITRES