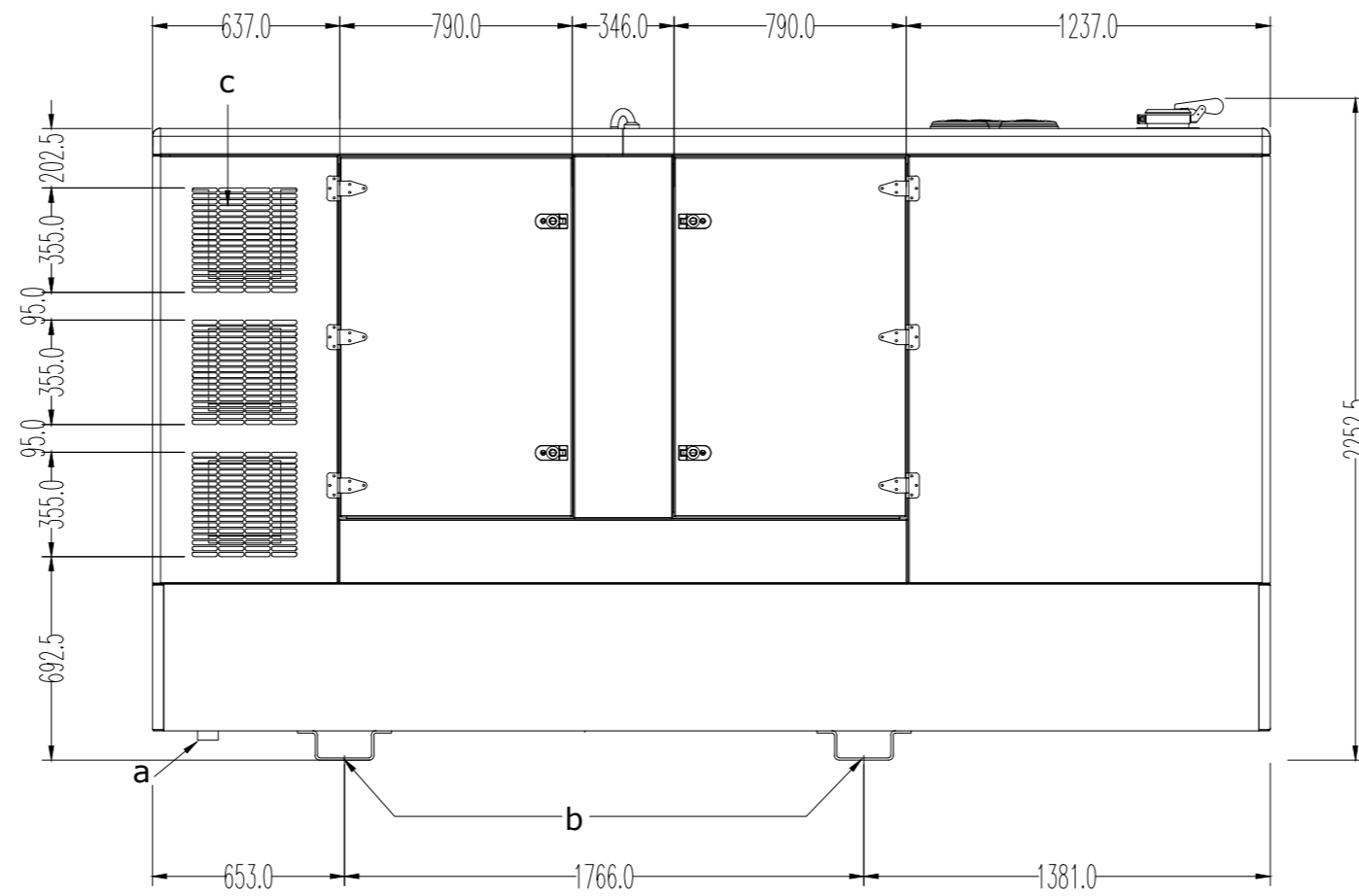
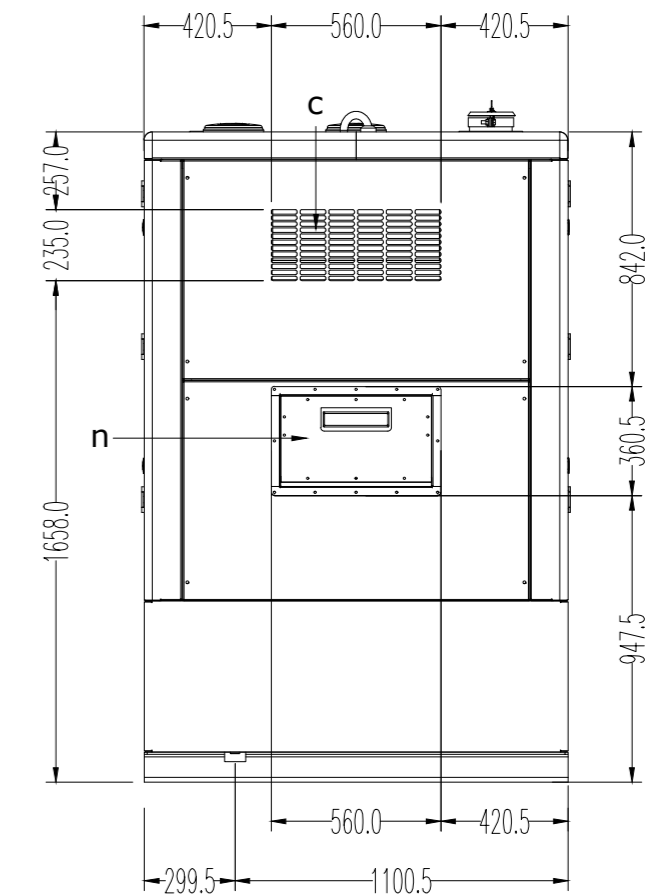


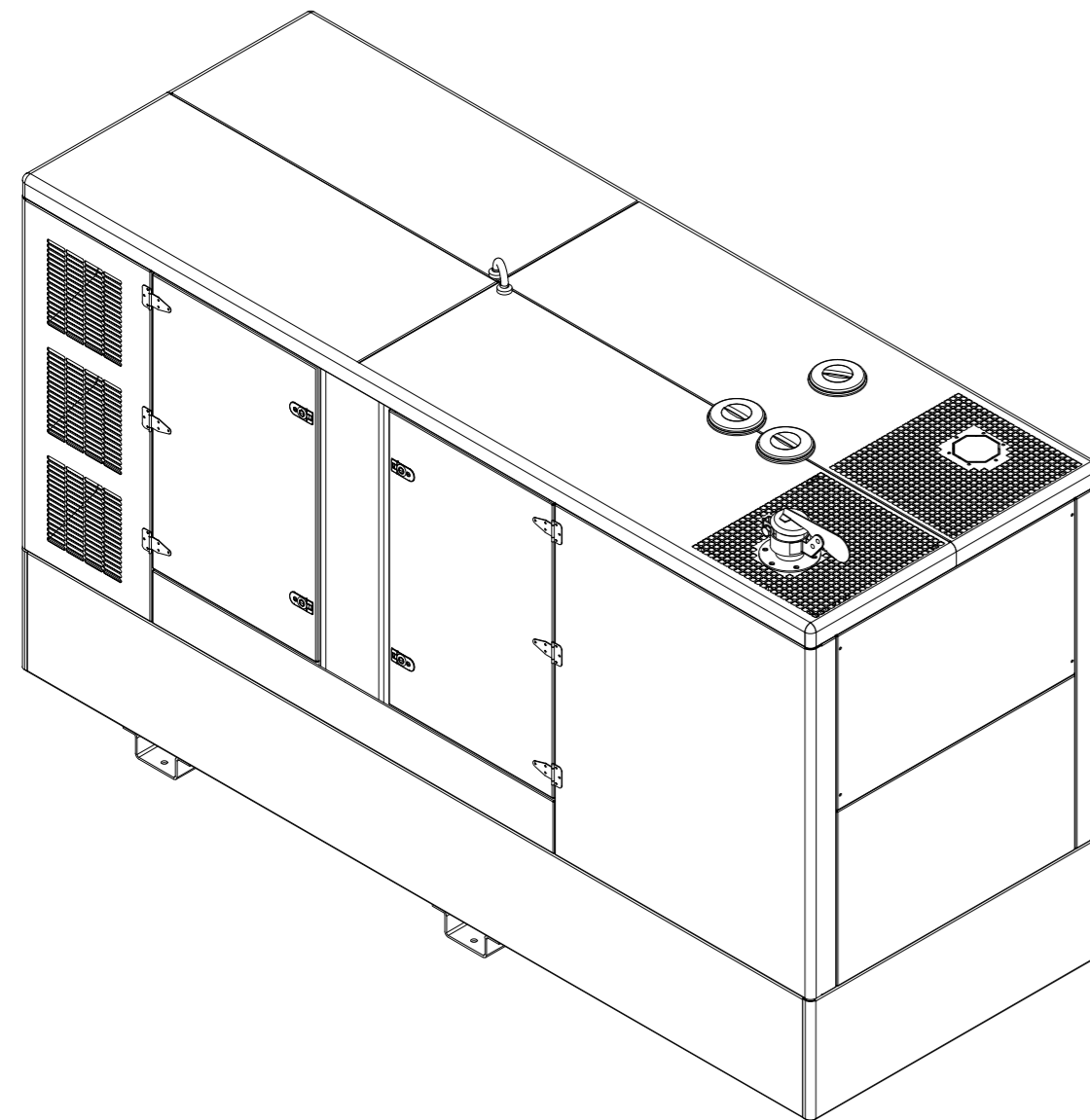
VISTA FRONTAL  
FRONT VIEW



VISTA LATERAL DERECHA  
LATERAL RIGHT VIEW



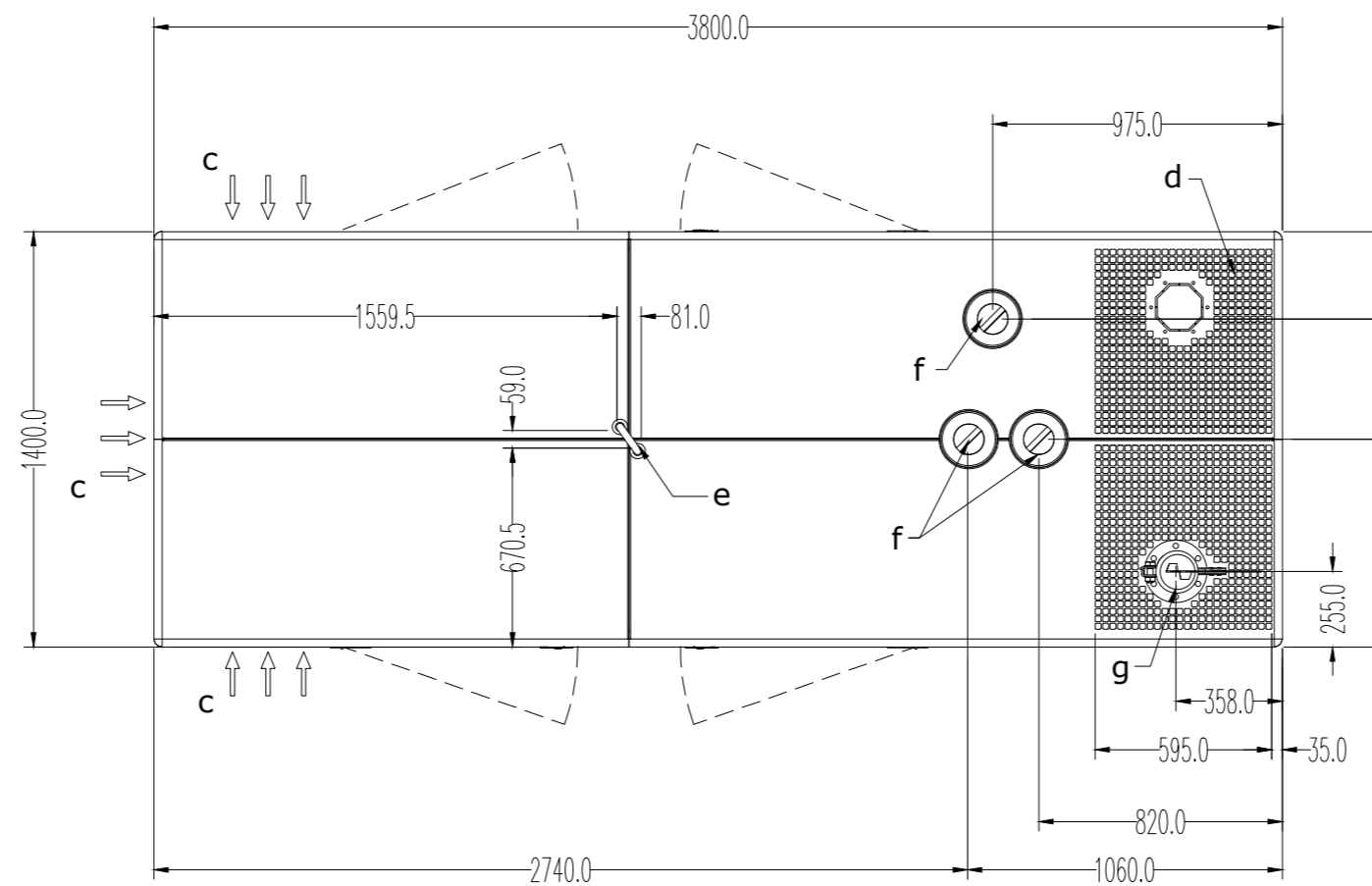
VISTA POSTERIOR  
REAR VIEW



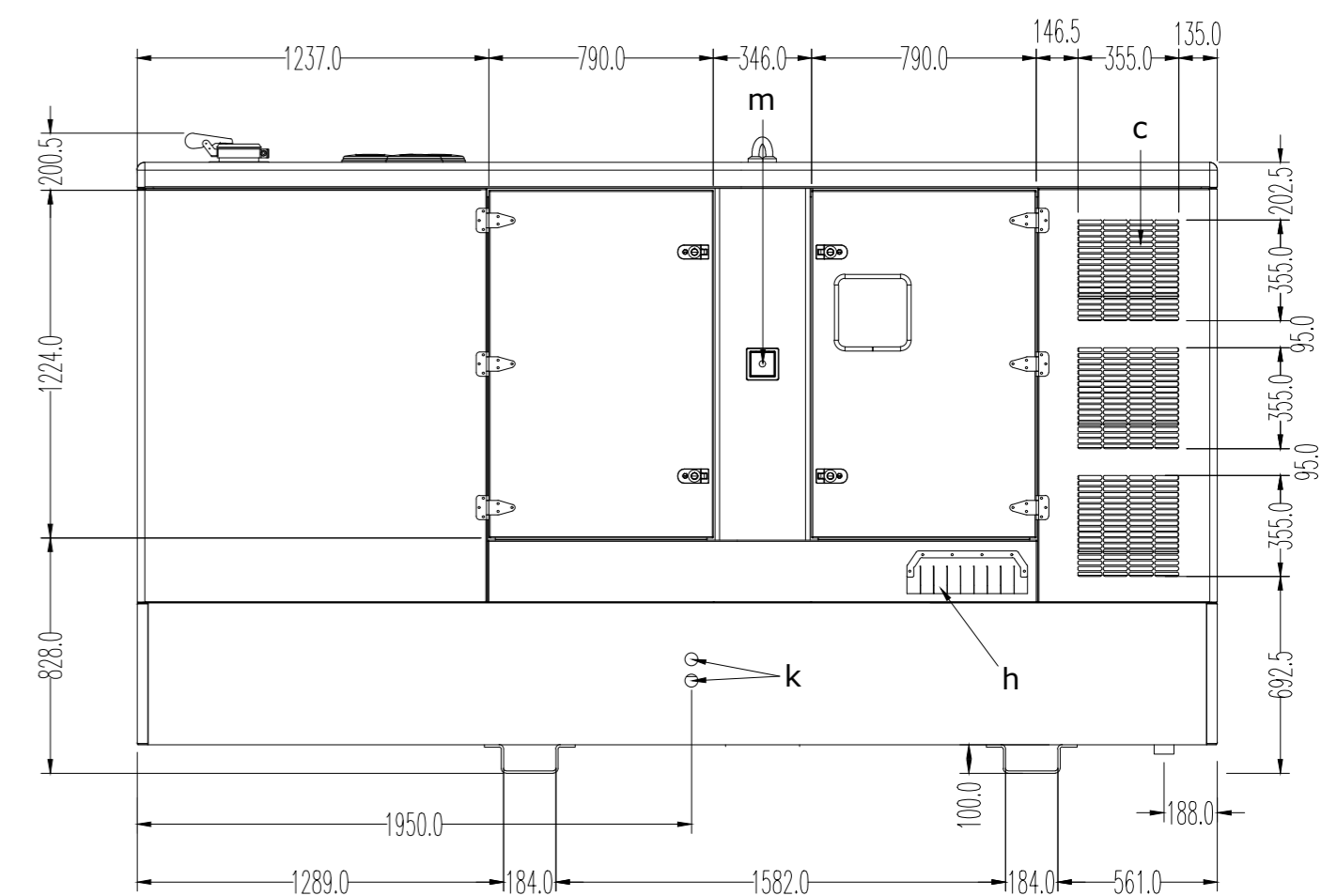
VISTA ISOMÉTRICA  
ISOMETRIC VIEW

CAPACIDAD DEL DEPOSITO / TANK CAPACITY : 449 LITRES

Motor/Engine	Modelo de motor/ engine model
FPT	C87TE1D
YANMAR	6F117TE1D.GL
VOLVO	TAD 732GE
VOLVO	TAD 733GE
VOLVO	TAD 734GE
DOOSAN	P086TI
DOOSAN	P126TI
JOHN DEERE	6068HF485



VISTA SUPERIOR  
UPPER VIEW



VISTA LATERAL IZQUIERDA  
LATERAL LEFT VIEW

	NOTAS	NOTES
a	TAPÓN DRENAJE	ACCESS TO DRAIN
b	FIJACIÓN GRUPO (4x Ø22 mm)	MOUNTING POINT (4 x Ø22 mm)
c	ENTRADA AIRE	AIR INLET
d	SALIDA DE AIRE	AIR OUTLET
e	GANCHO IZADO (Es posible que no coincida con el centro de gravedad)	LIFTING POINT (Is not above the center of gravity)
f	ACCESO RADIADOR	RADIATOR ACCESS
g	SALIDA DE ESCAPE Ø140 mm	EXHAUST OUTLET Ø140 mm
h	SALIDA DE CABLES	CABLE ENTRANCE
k	SALIDA DRENAJE ACEITE MOTOR	OIL DRAIN OUTLET
m	PARADA DE EMERGENCIA	EMERGENCY STOP
n	CUADRO DE BASE OPCIONAL	OPTIONAL RECEPTACLE BOX

<b>Designed:</b> 21/05/09	<b>Date:</b> 21/05/09	<b>Name:</b> A.M.	Information and data contained in this document is non-binding in nature and is made available exclusively for informational purposes. Any implicit warranty regarding merchantable conditions or suitability for certain purposes is excluded. Only updated information contained or referred-to in a Purchase Order duly confirmed by writing by HIMOINSA shall be considered legally binding.	
<b>Revised:</b> 22/09/20	<b>Date:</b> 22/09/20	<b>Name:</b> A.P.		
<b>Approved:</b> 22/09/20	<b>Date:</b> 22/09/20	<b>Name:</b> A.P.		
<b>Designación / Designation:</b> GRUPO ELECTROGENO INSONORIZADO / SOUNDPROOF GENSET MOTOR / ENGINE: FPT, VOLVO, DOOSAN, JOHN DEERE, YANMAR CARROCERIA MODELO / CANOPY MODELL: F1			<b>Status:</b> <span style="font-weight: bold; font-size: 12px;">RELEASED</span>	
<b>Code:</b> GI-00039-F1			<b>Revision:</b> 04	<b>Din-A2</b>
<b>Unit:</b> mm			<b>Scale:</b> 1/25	