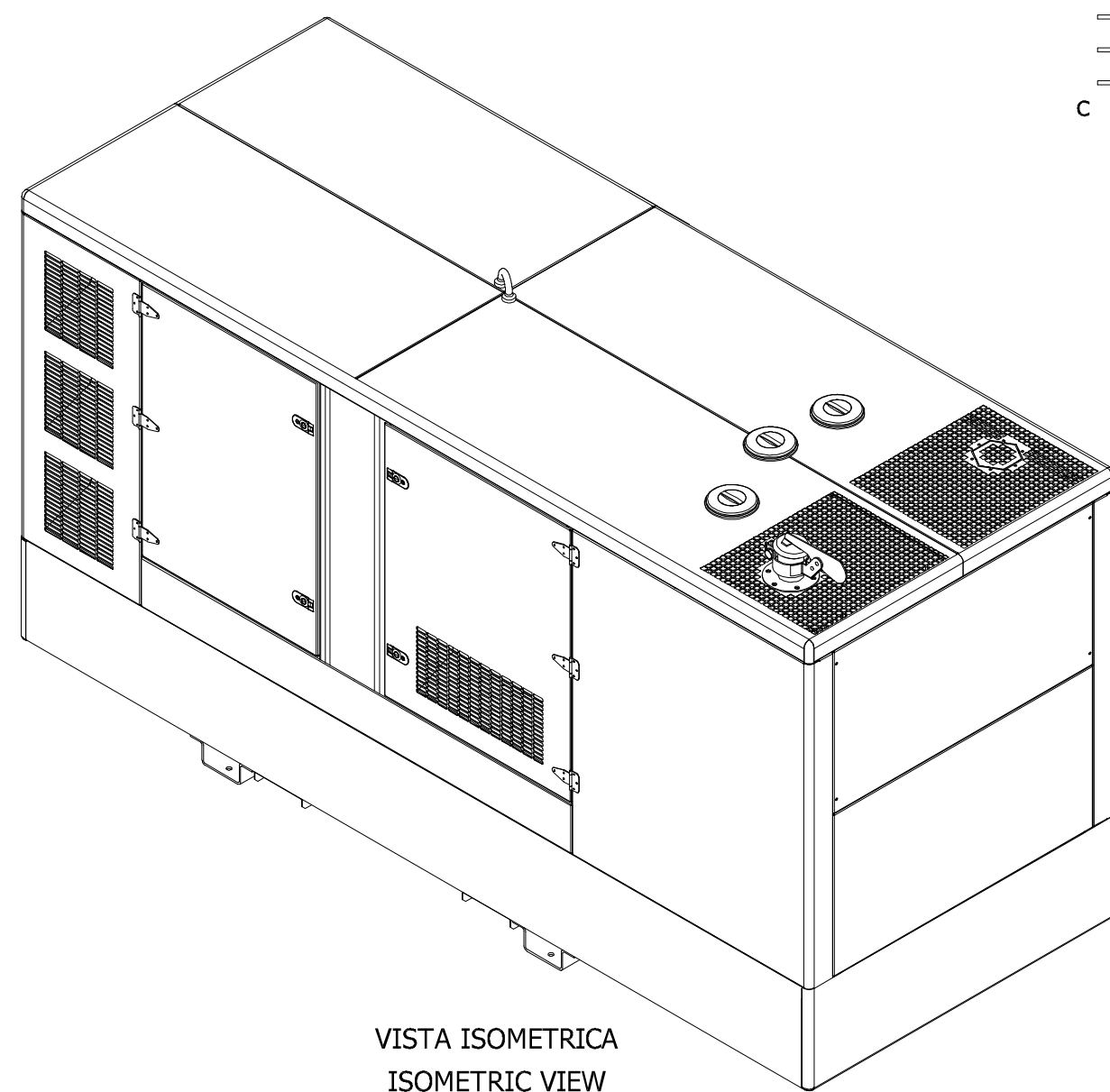


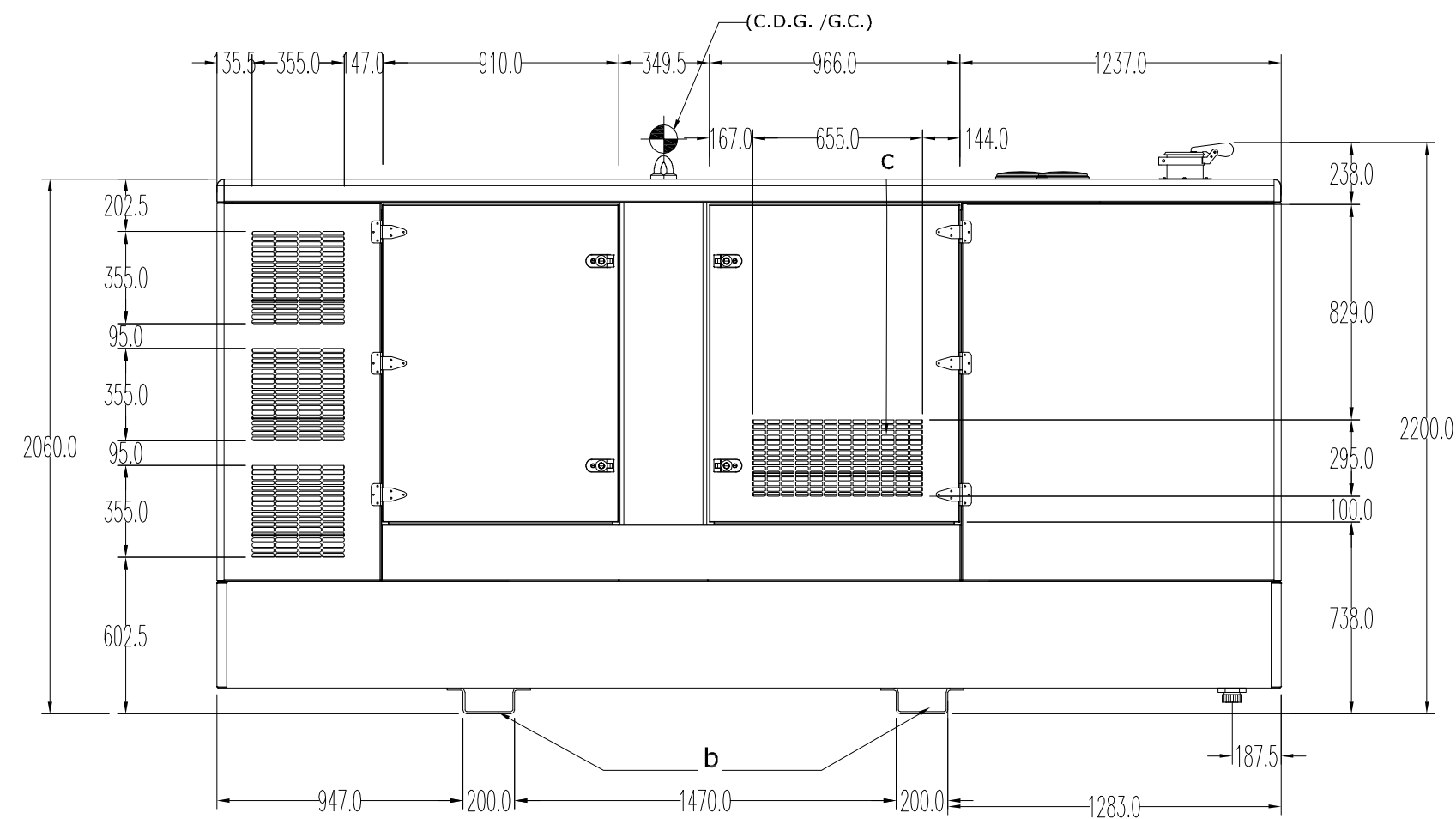
VISTA LATERAL IZQUIERDA
LEFT SIDE VIEW



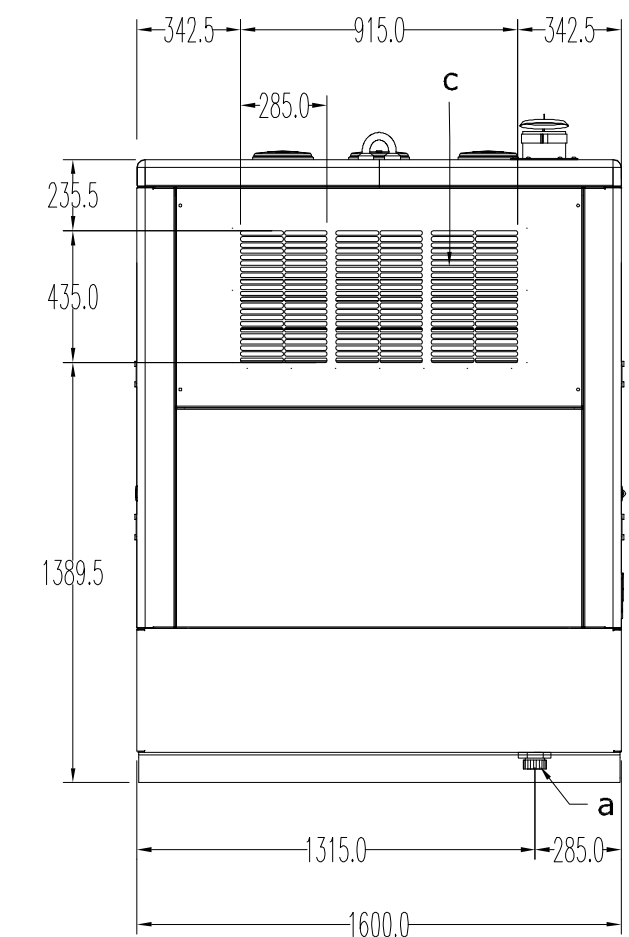
VISTA ISOMETRICA
ISOMETRIC VIEW

D1 CAPACIDAD DEL DEPOSITO / TANK CAPACITY : 597 LITRES

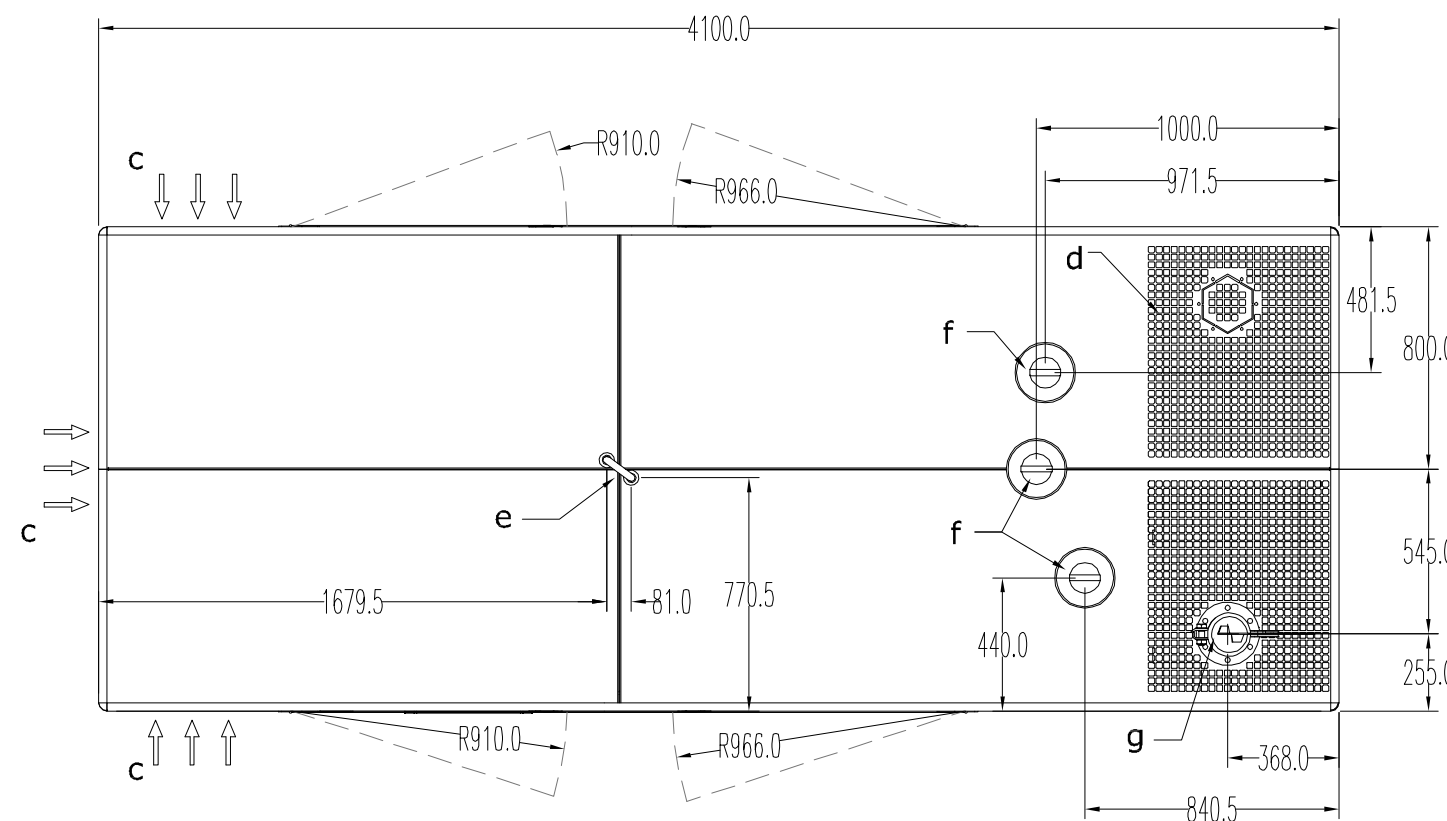
D2 CAPACIDAD DEL DEPOSITO / TANK CAPACITY : 1660 LITRES



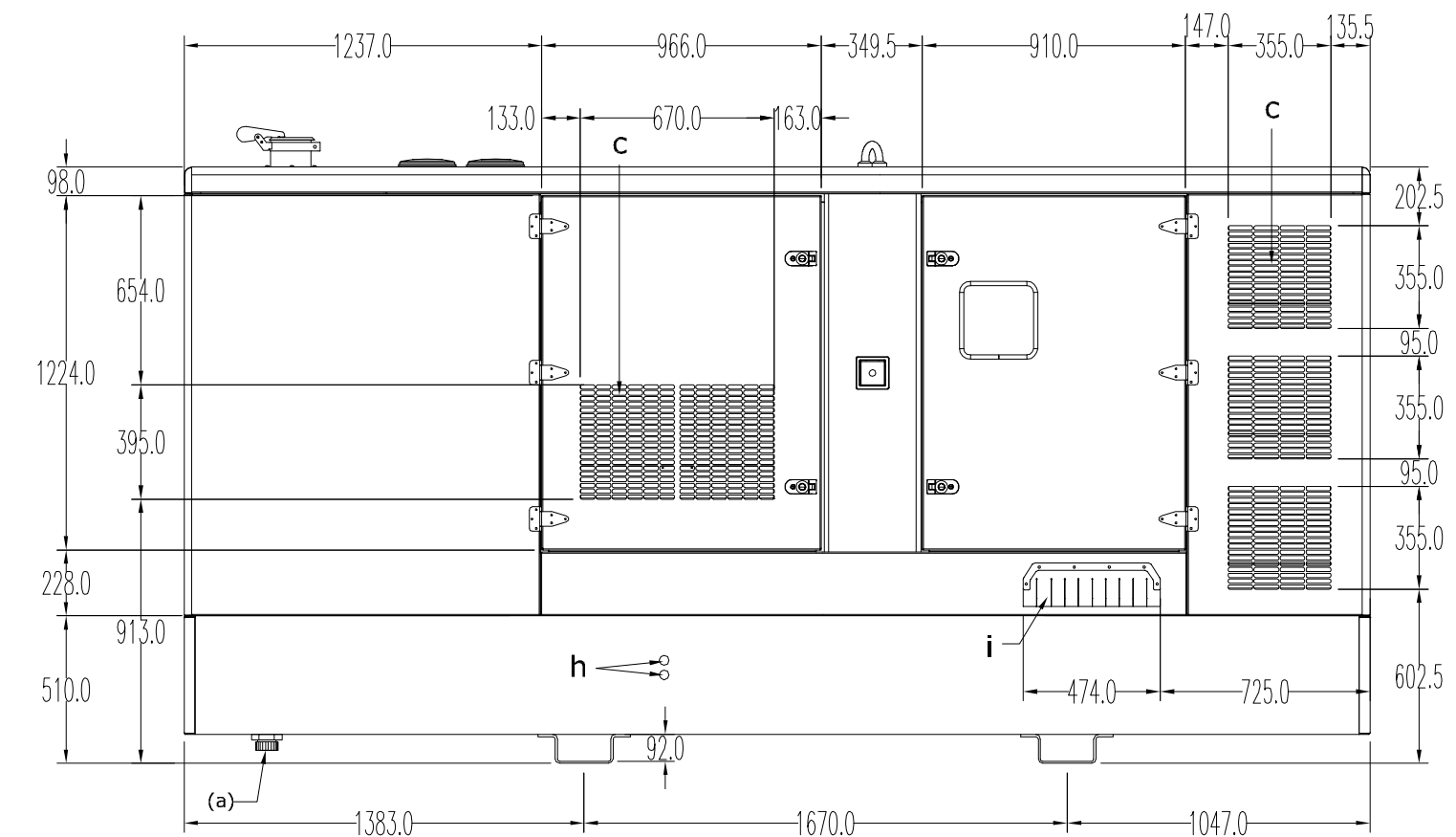
VISTA FRONTAL
FRONT VIEW



VISTA LATERAL DERECHA
RIGHT VIEW



VISTA SUPERIOR
UPPER VIEW



VISTA POSTERIOR
REAR VIEW

Motor/Engine	Modelo Motor / Engine model
IVECO	C13 ENTX 60.00
IVECO	C13 TE 2S
IVECO	C13 TE 3S

NOTAS	NOTES
a	TAPÓN DRENAJE / ACCESS TO DRAIN
b	FIJACIÓN GRUPO (4 x Ø22 mm) / MOUNTING POINT (4 x Ø22 mm)
c	ENTRADA AIRE / AIR INLET
d	SALIDA DE AIRE / AIR OUTLET
e	GANCHO IZADO / LIFTING POINT
f	ACCESO RADIADOR / RADIATOR ACCESS
g	SALIDA DE ESCAPE Ø140 mm / EXHAUST OUTLET Ø140 mm
h	PASAMUROS / FOR EXTERNAL FUEL SUPPLY CONNECTIONS Ø42mm
i	SALIDA DE POTENCIA / POWER OUTLET

DATE:	NAME:	OLD CODE:	
DESIGNED: 17/06/09 A.M.		NEW CODE:	
REVISED: 01/02/13 SK		The actual design is HIMOINSA S.L. property. It can not be used for construction of the showed item, reproduced or communicated to third parts without the previous authorisation of the above mentioned company.	
APPROVED: 01/02/13 A.P.			
DESIGNACIÓN / DESIGNATION: GRUPO ELECTROGENO INSONORIZADO / SOUNDPROOF GENSET MOTOR / ENGINE: IVECO CARROCERIA MODELO / CANOPY MODELL: G1			DRAWING N°: CODE: GI-00041-G1 REVISION: 02 DIN- A2 UNIT: mm SCALE: 1/25