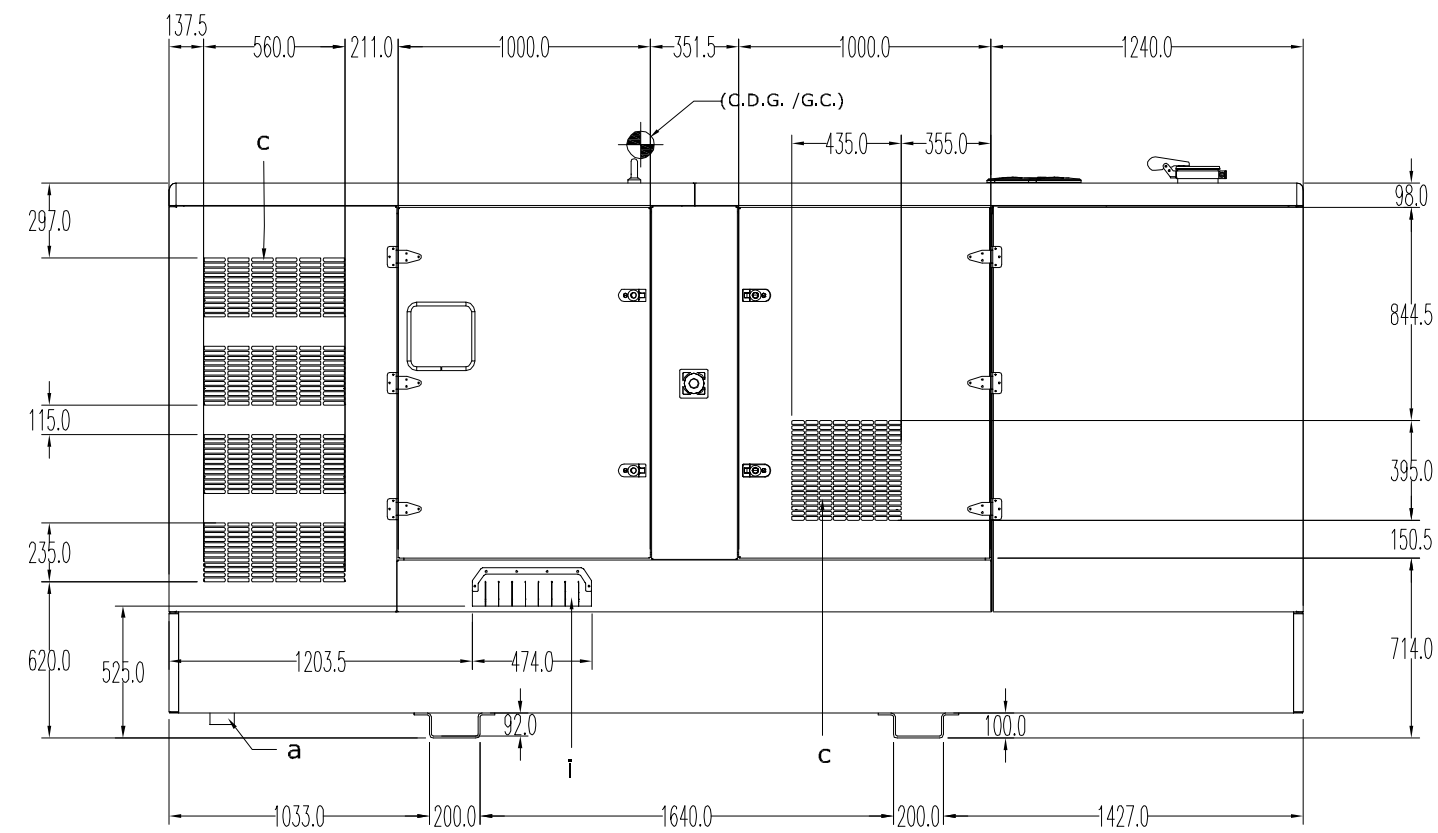
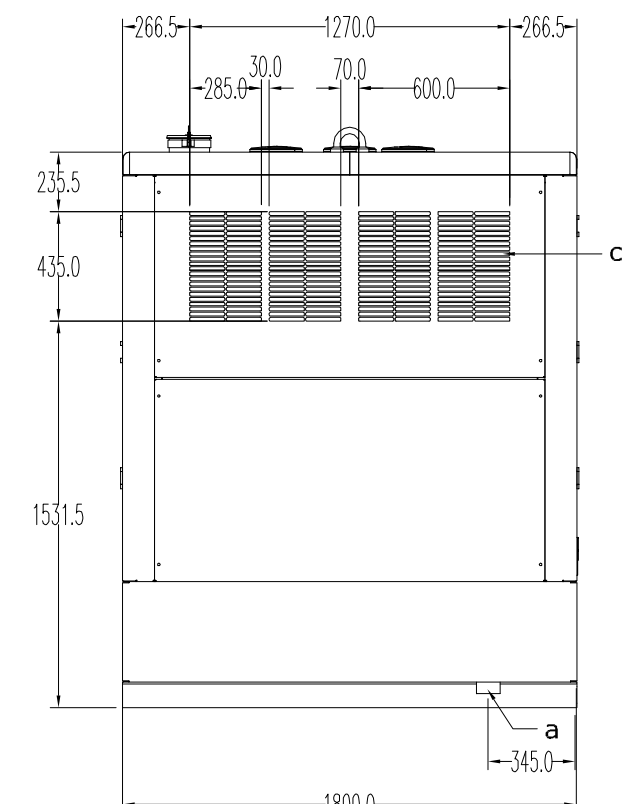


VISTA LATERAL IZQUIERDA
LEFT SIDE VIEW



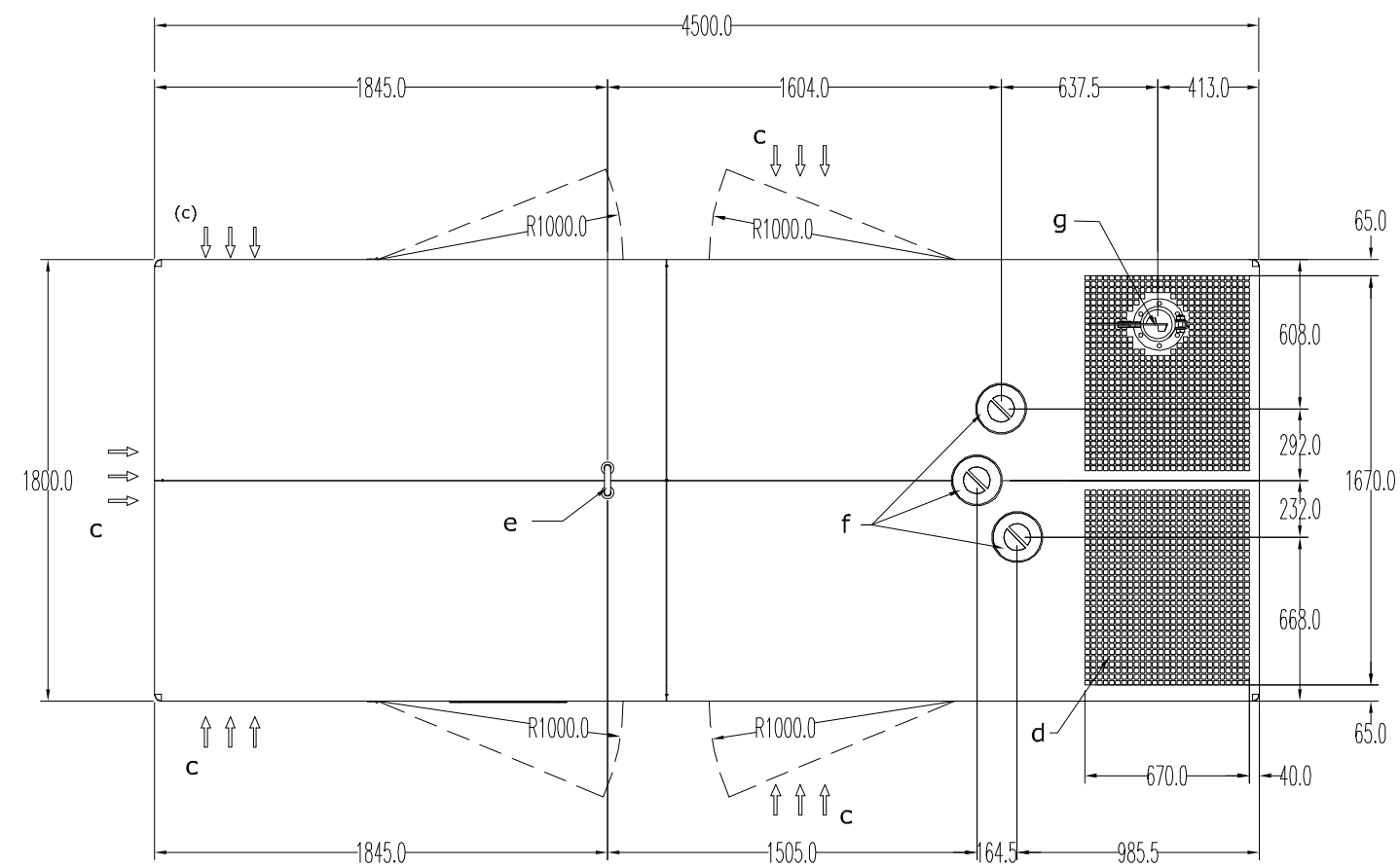
VISTA FRONTAL
FRONT VIEW



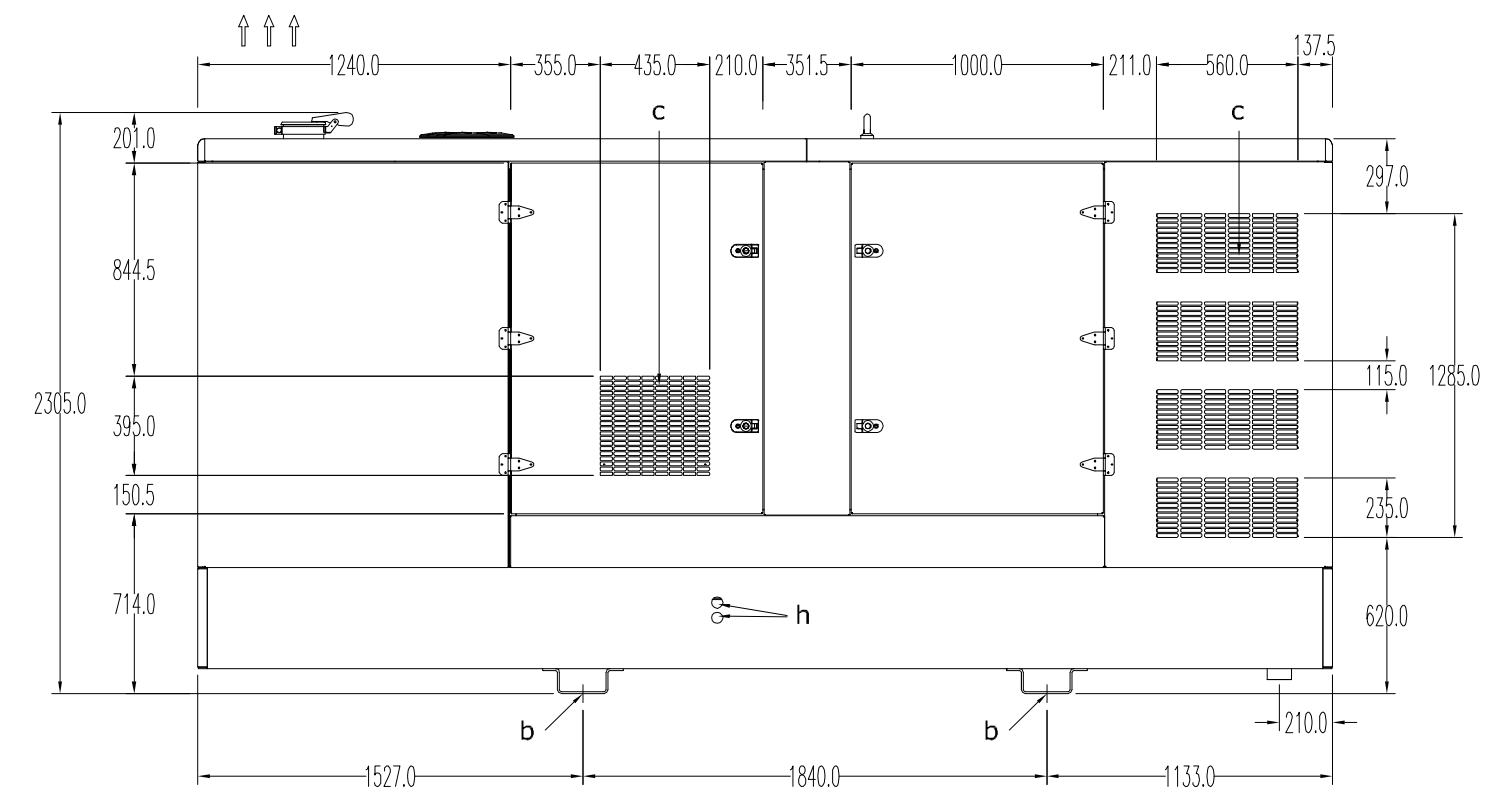
VISTA LATERAL DERECHA
RIGHT VIEW

D1

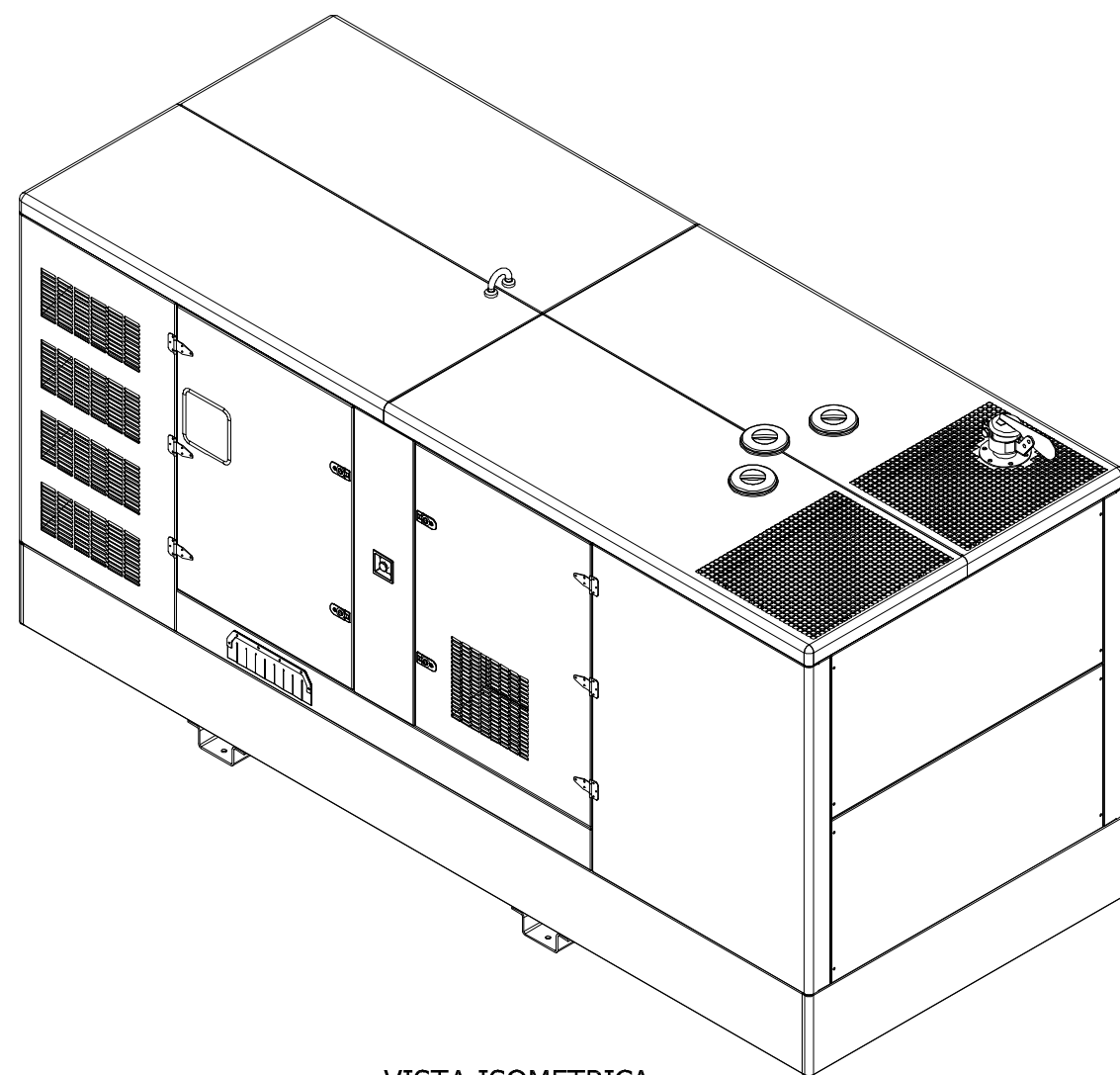
D2



VISTA SUPERIOR
UPPER VIEW



VISTA POSTERIOR
REAR VIEW



VISTA ISOMETRICA
ISOMETRIC VIEW

NOTAS	NOTES
a TAPÓN DRENAJE	ACCESS TO DRAIN
b FIJACIÓN GRUPO (4 x Ø18 mm)	MOUNTING POINT (4 x Ø18 mm)
c ENTRADA AIRE	AIR INLET
d SALIDA DE AIRE	AIR OUTLET
e GANCHO IZADO	LIFTING POINT
f ACCESO RADIADOR	RADIATOR ACCESS
g SALIDA DE ESCAPE Ø160mm	EXHAUST OUTLET Ø160mm
h PASAMUROS	FOR EXTERNAL FUEL SUPPLY CONNECTIONS Ø42 mm
i SALIDA DE POTENCIA	POWER OUTLET

D1 CAPACIDAD DEL DEPOSITO / TANK CAPACITY : 740 LITRES

D2 CAPACIDAD DEL DEPOSITO / TANK CAPACITY : 2090 LITRES

Motor/Engine	Modelo Motor / Engine model
SCANIA	DC13 071 STG3
SCANIA	DC13 072 STG3

DESIGNED:	24/02/12	SK	OLD CODE:	
REVISOR:	24/02/12	SK	NEW CODE:	
APPROVED:	24/02/12	A.P.	The actual design is HIMOINSA S.L. property. It can not be used for construction of the showed item, reproduced or communicated to third parts without the previous authorisation of the above mentioned company.	

DESIGNACIÓN / DESIGNATION:
GRUPO ELECTROGENO INSONORIZADO / SOUNDPROOF GENSET
MOTOR / ENGINE: SCANIA
CARROCERIA MODELO / CANOPY MODELL: H1

DRAWING N°: GI-00158-H1

CODE: GI-00158-H1

REVISION: DIN-A2

UNIT: mm SCALE: 1/30