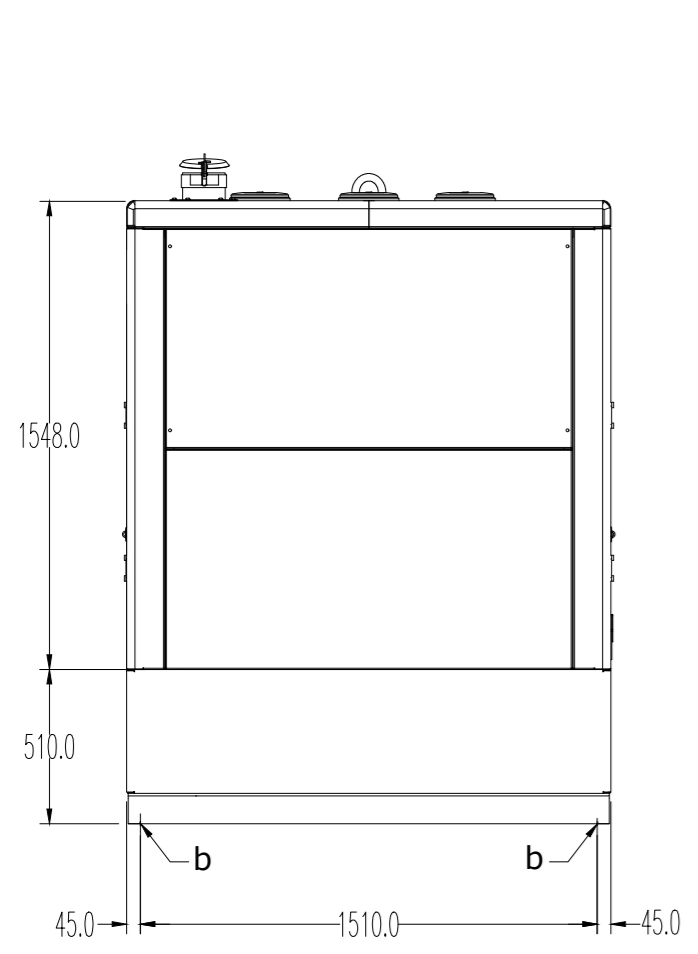
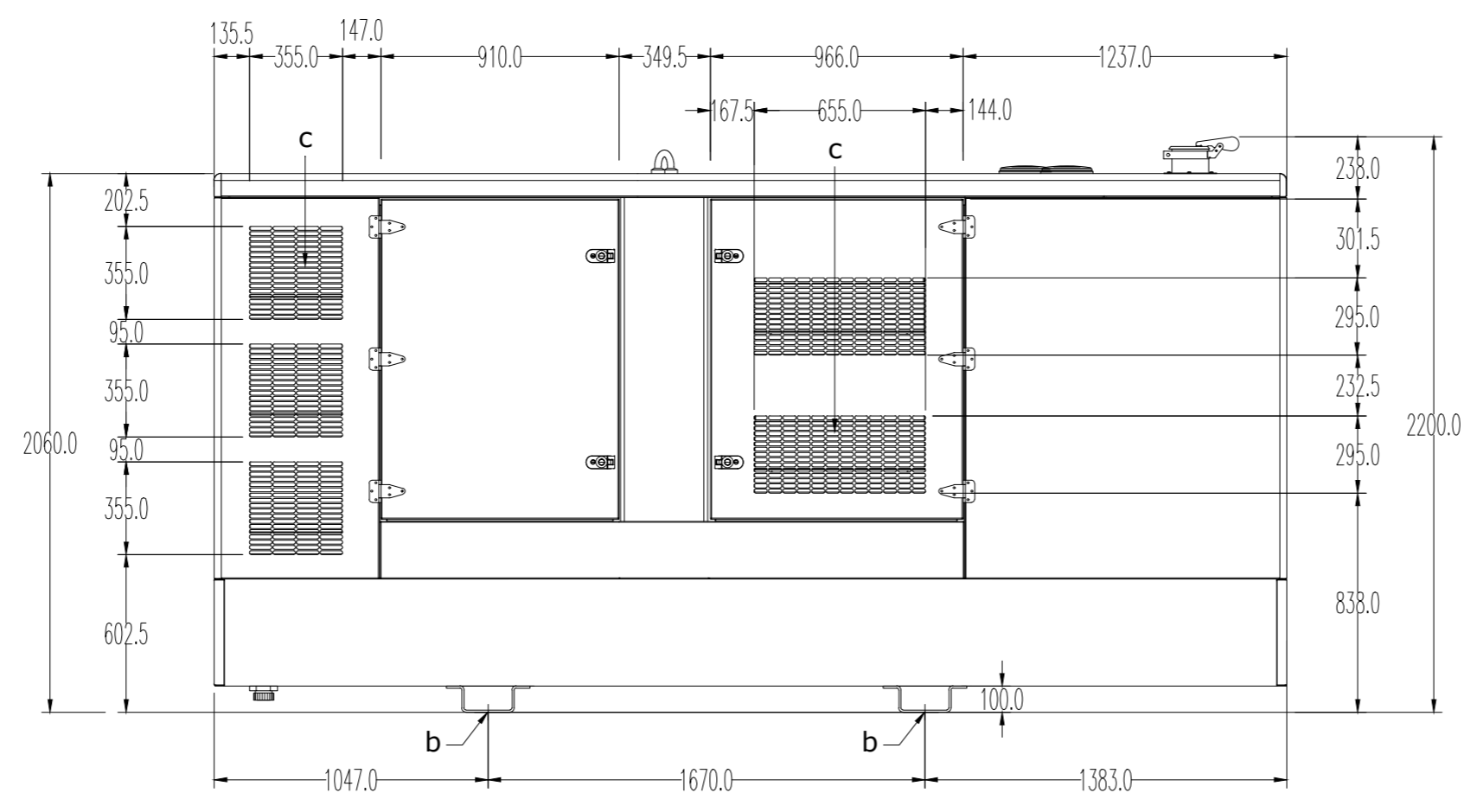


1 2 3 4 5 6 7 8 9 10 11 12 13 14 15 16 17 18 19 20 21 22 23 24 25 26 27 28 29 30 31 32

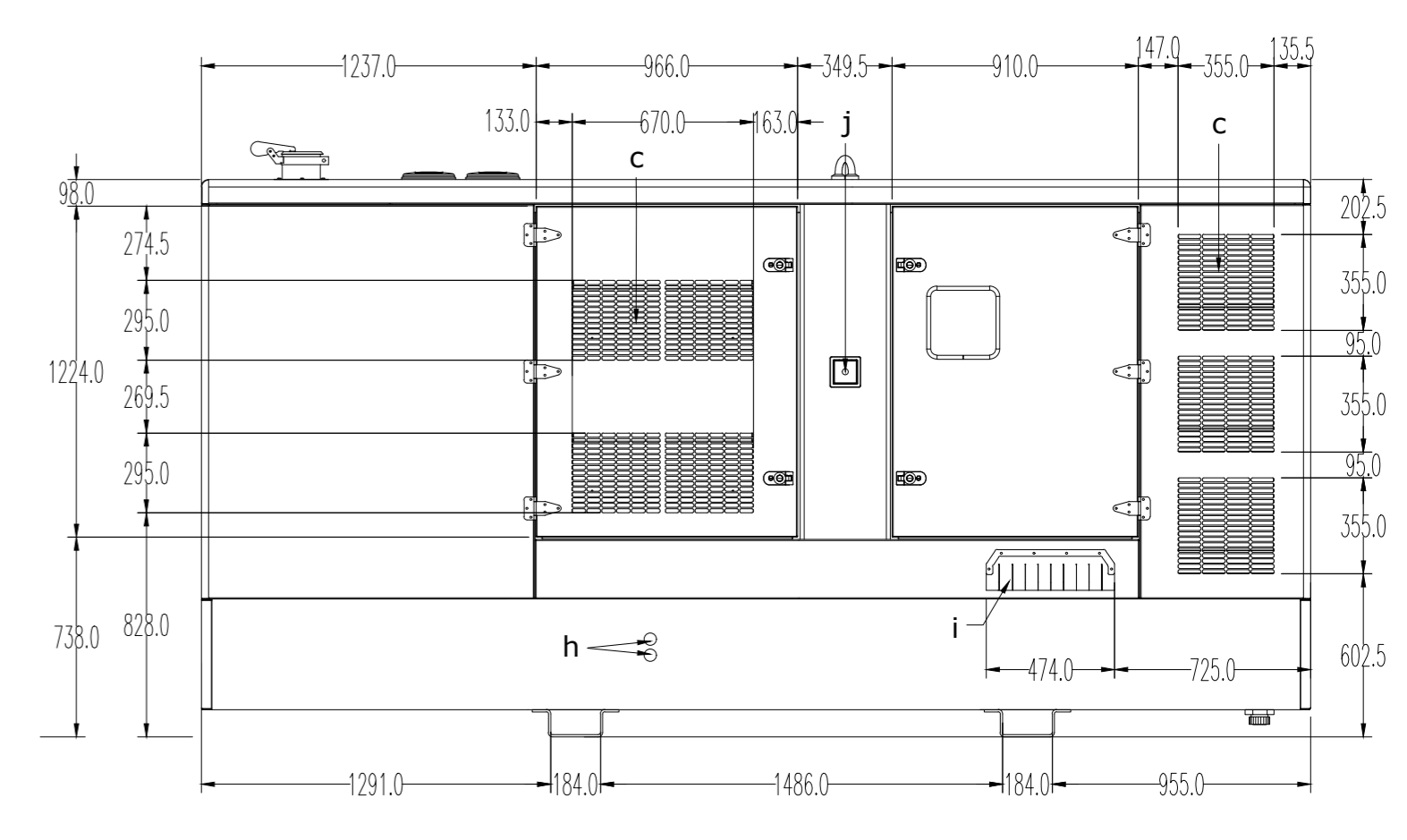
A
B
C
D
E
F
G
H
I
J
K
L
LL
M
N
O
P
Q
R
S
T
U
V
W



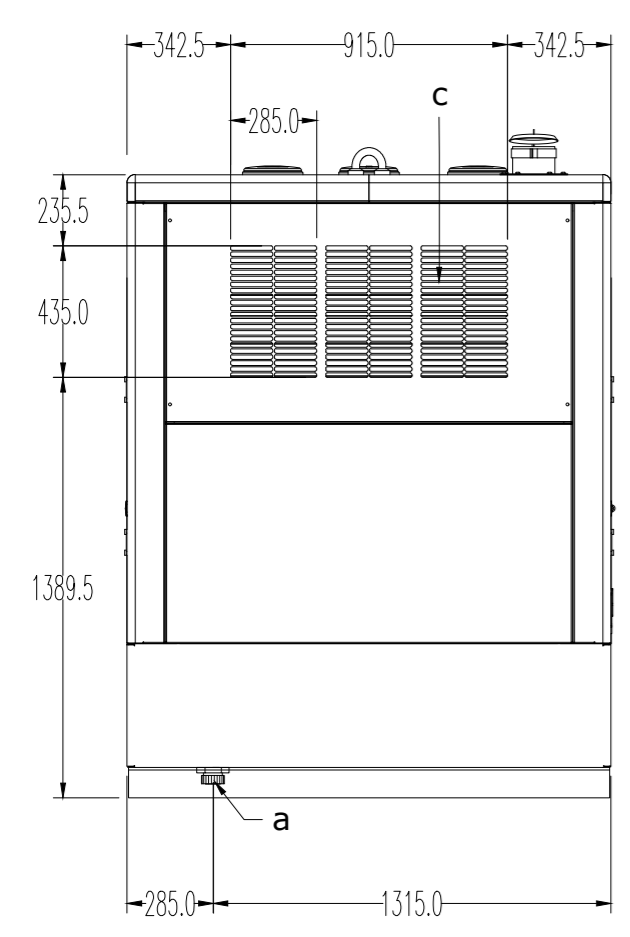
VISTA FRONTAL
FRONT VIEW



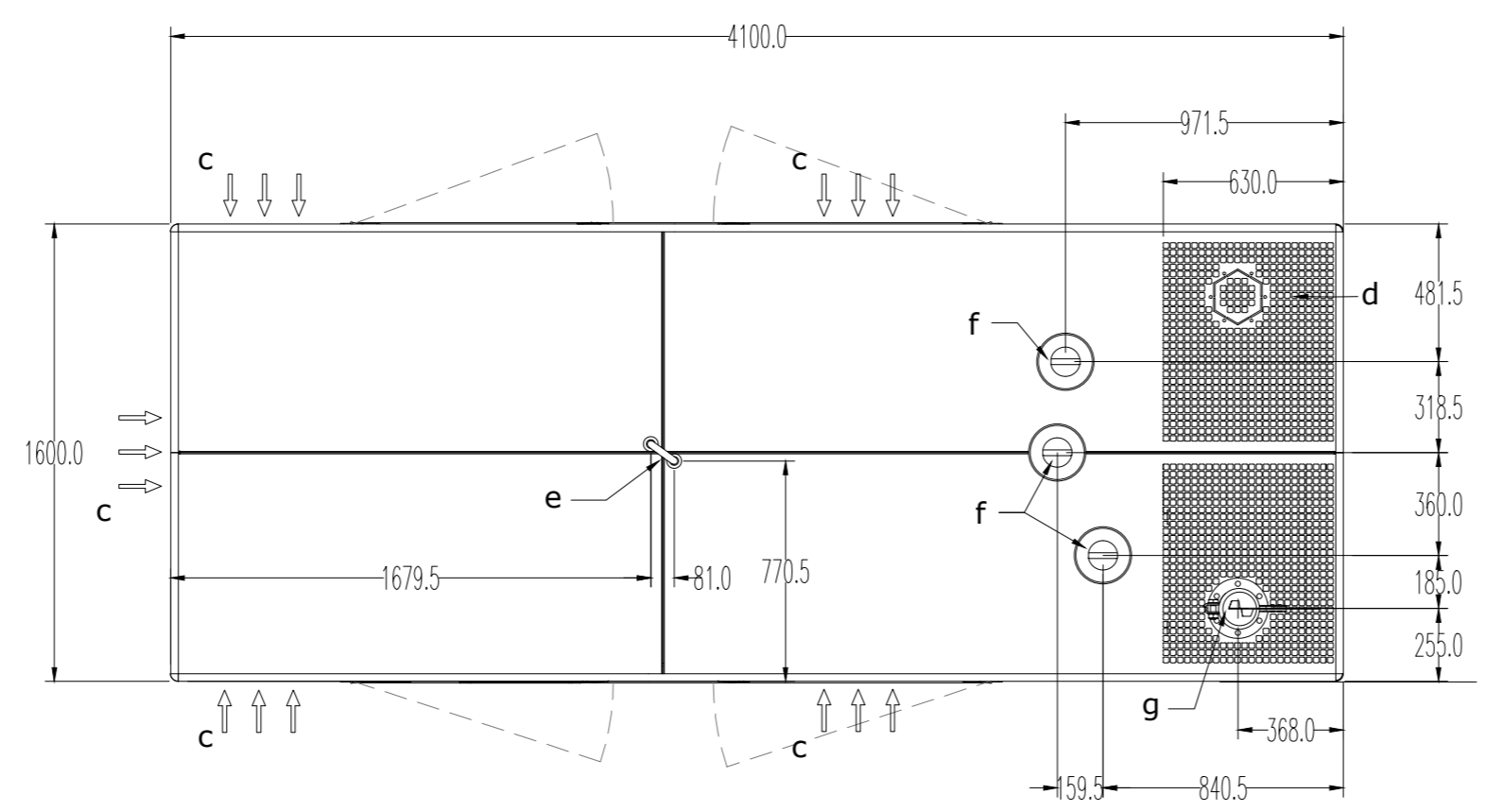
VISTA LATERAL DERECHA
LATERAL RIGHT VIEW



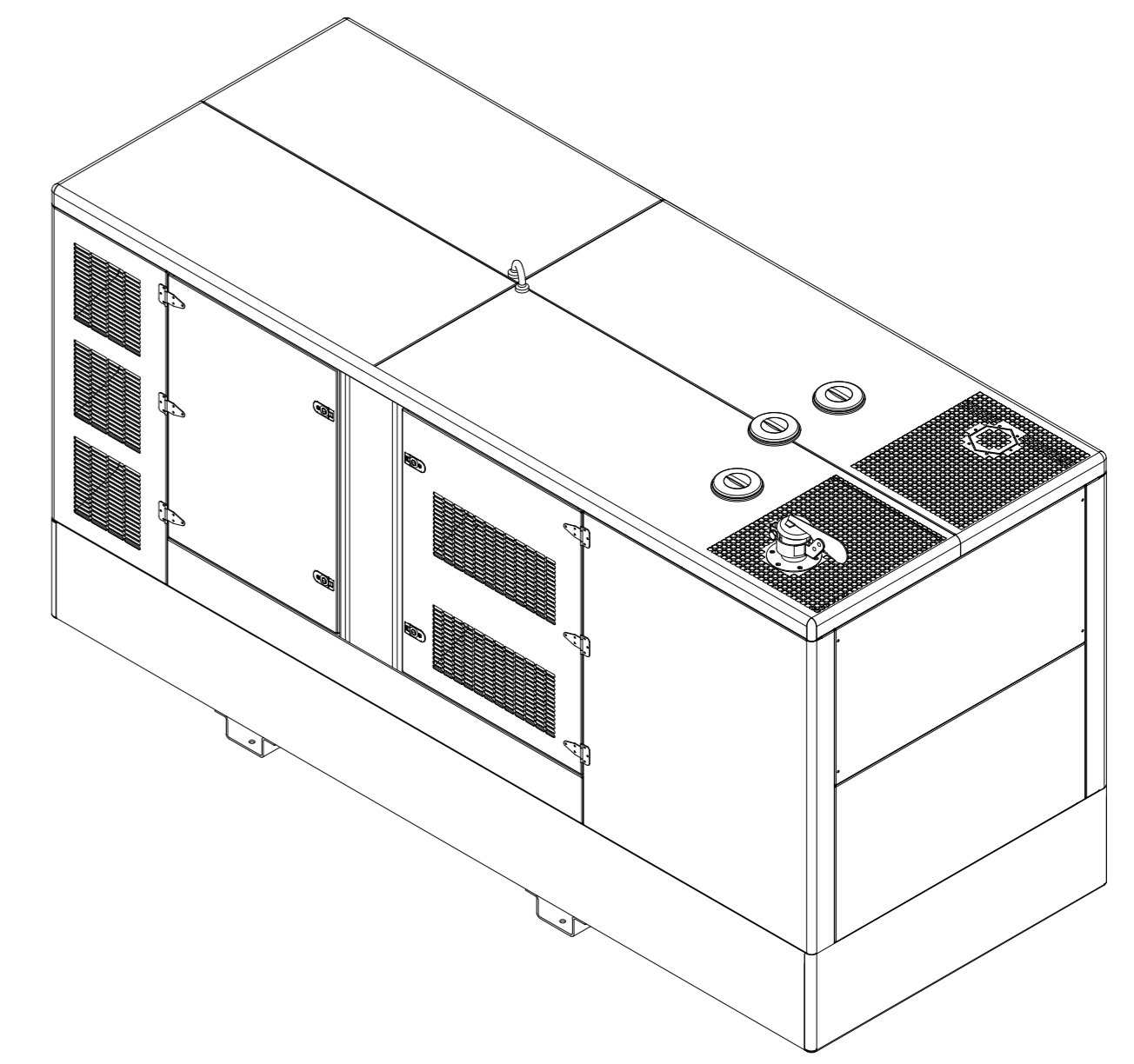
VISTA LATERAL IZQUIERDA
LATERAL LEFT VIEW



VISTA POSTERIOR
REAR VIEW



VISTA SUPERIOR
UPPER VIEW



VISTA ISOMÉTRICA
ISOMETRIC VIEW

CAPACIDAD DEL DEPOSITO / TANK CAPACITY : 597 LITRES

Motor/Engine	Modelo Motor / Engine model
FPT	C13TE7
YANMAR	6F135TE7.GL

	NOTAS	NOTES
a	TAPÓN DRENAJE	ACCESS TO DRAIN
b	FIJACIÓN GRUPO (4 x Ø22 mm)	MOUNTING POINT (4 x Ø22 mm)
c	ENTRADA AIRE	AIR INLET
d	SALIDA DE AIRE	AIR OUTLET
e	GANCHO IZADO (Es posible que no coincida con el centro de gravedad)	LIFTING POINT (Is not above the center of gravity)
f	ACCESO RADIADOR	RADIATOR ACCESS
g	SALIDA DE ESCAPE Ø140 mm	EXHAUST OUTLET Ø140 mm
h	PASAMUROS	FOR EXTERNAL FUEL SUPPLY CONNECTIONS
i	SALIDA DE POTENCIA	POWER OUTLET
j	PARADA DE EMERGENCIA	EMERGENCY STOP

Designed:	11/04/16	Name:	SK
Revised:	22/09/20	Name:	SK
Approved:	22/09/20	Name:	A.P.

Information and data contained in this document is non-binding in nature and is made available exclusively for informational purposes. Any implicit warranty regarding merchantable conditions or suitability for certain purposes is excluded. Only updated information contained or referred-to in a Purchase Order duly confirmed by writing by HIMOINSA shall be considered legally binding.

Designación / Designation: GRUPO ELECTROGENO INSONORIZADO / SOUNDPROOF GENSET MOTOR / ENGINE: FPT, YANMAR CARROCERIA MODELO / CANOPY MODELL: G1	Status: RELEASED
Code:	GI-00310-G1
Revision:	01 Din-A2
Unit:	mm Scale: 1/25