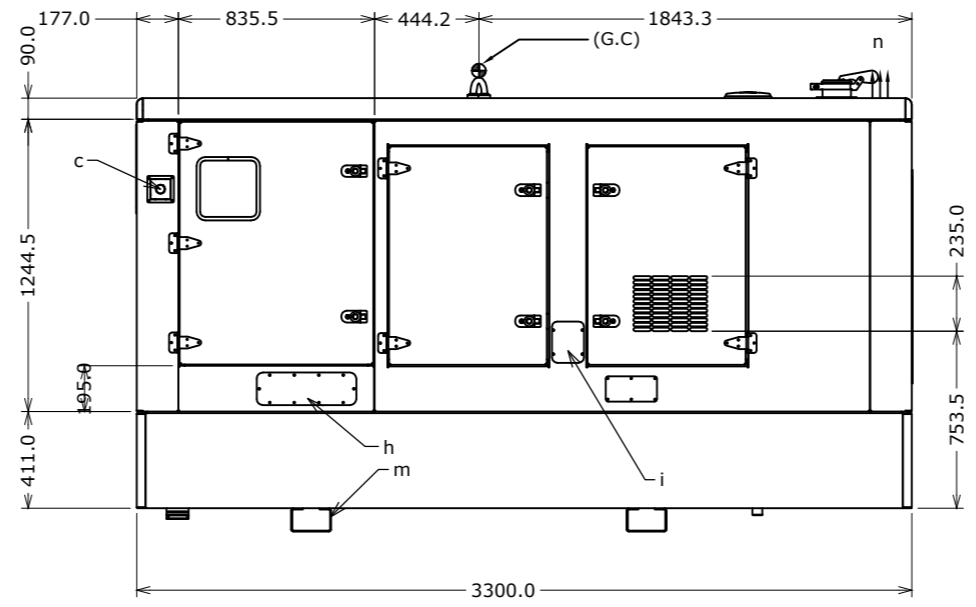
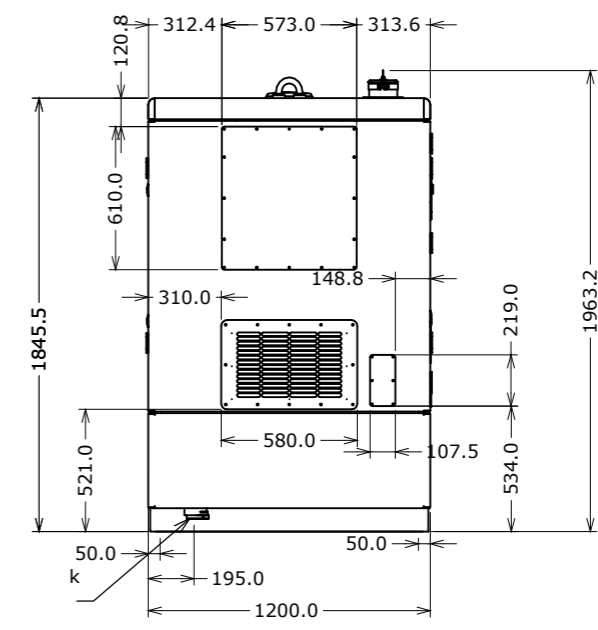


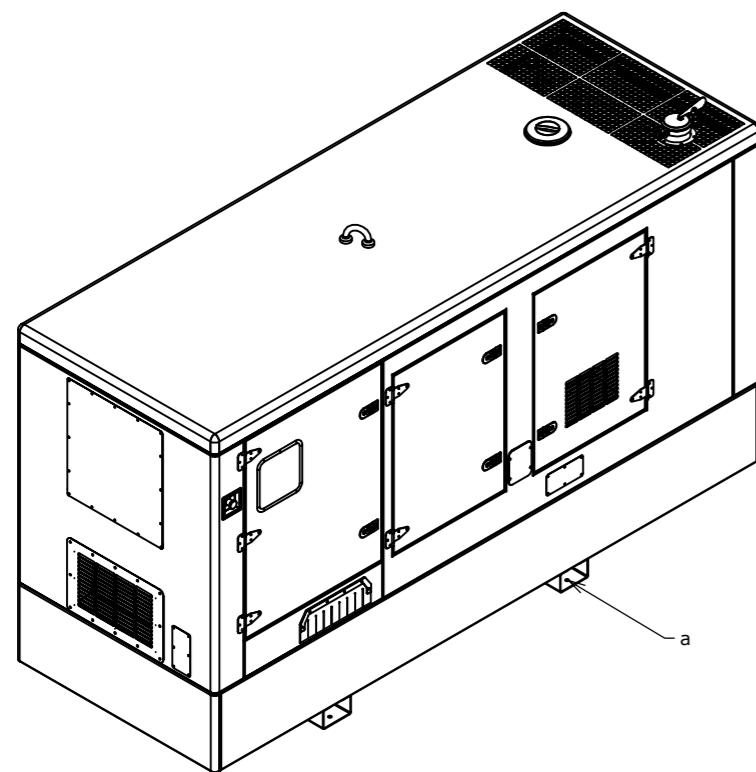
LEFT SIDE VIEW



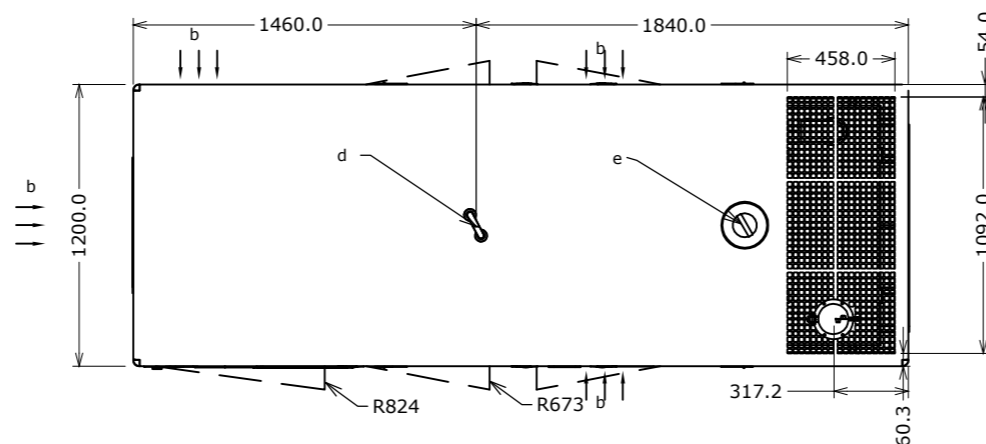
FRONT VIEW



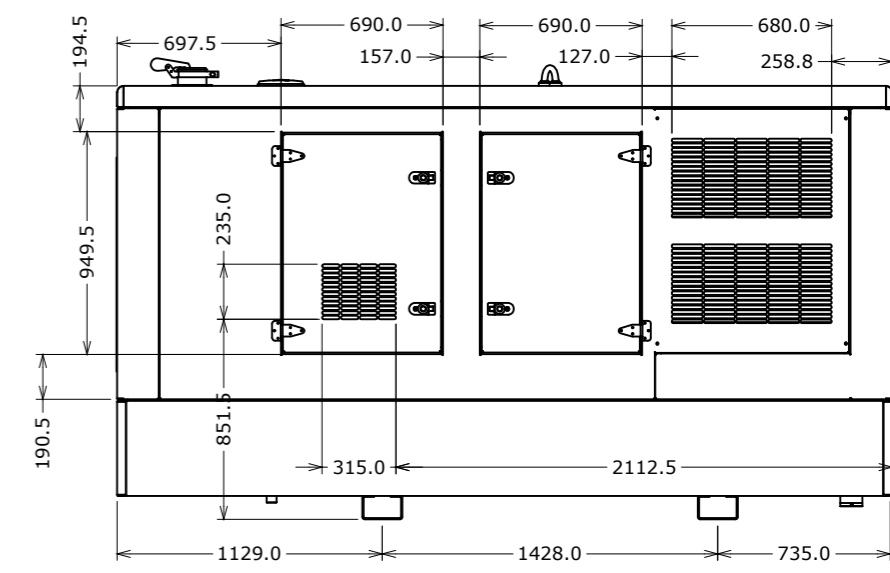
RIGHT VIEW



ISOMETRIC VIEW



UPPER VIEW



REAR VIEW

NOTES

- (a) MOUNTING POINT (4xØ16mm)
- (b) AIR INLET
- (c) EMERGENCY STOP
- (d) LIFTING POINT
- (e) RADIATOR ACCESS
- (f) EXHAUST OUTLET Ø121mm
- (h) CABLE ENTRANCE
- (i) FUEL FILLING POINT
- (k) ACCESS TO DRAIN
- (m) SLEDGING SKID
- (n) AIE OUTLET

Engine	Engine model
IVECO	NEF67 TM2A
IVECO	NEF67 TM3A
IVECO	NEF67 TE2A/TE3A

FUEL TANK OPTIONS:
450L(SHEET METAL)

DESIGNED:	12/11/15	LOUIS YU	OLD CODE:		
REVISED:	12/11/15	TONY WANG	NEW CODE:		
APPROVED:	12/11/15	Diego Molina	<small>The actual design is HIMONSA S.L. property. It can not be used for construction of the showed item, reproduced or communicated to third parts without the previous authorisation of the above mentioned company.</small>		
DESIGNATION: SOUND ATTENUATED GENSET ENGINE: HFW-135 T5 /HFW-160 T5 /HFW-180 T5 /HFW-200 T5 ENCLOSURE MODEL: E10 450L STEEL					
DRAWING N°:					
CODE:					
REVISION: 00				DIN-A2	
UNIT: mm					SCALE: 1/20