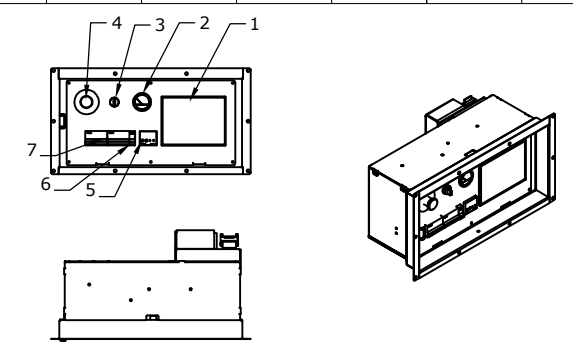
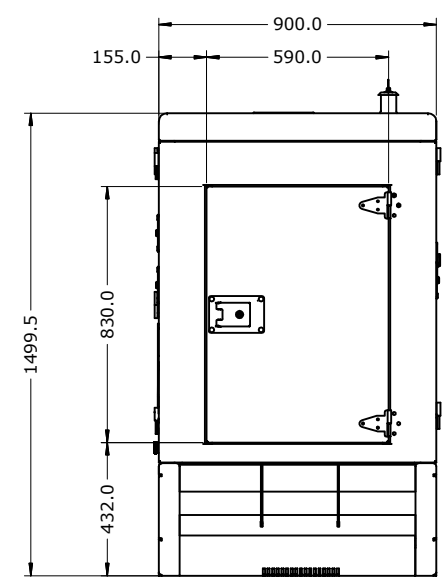


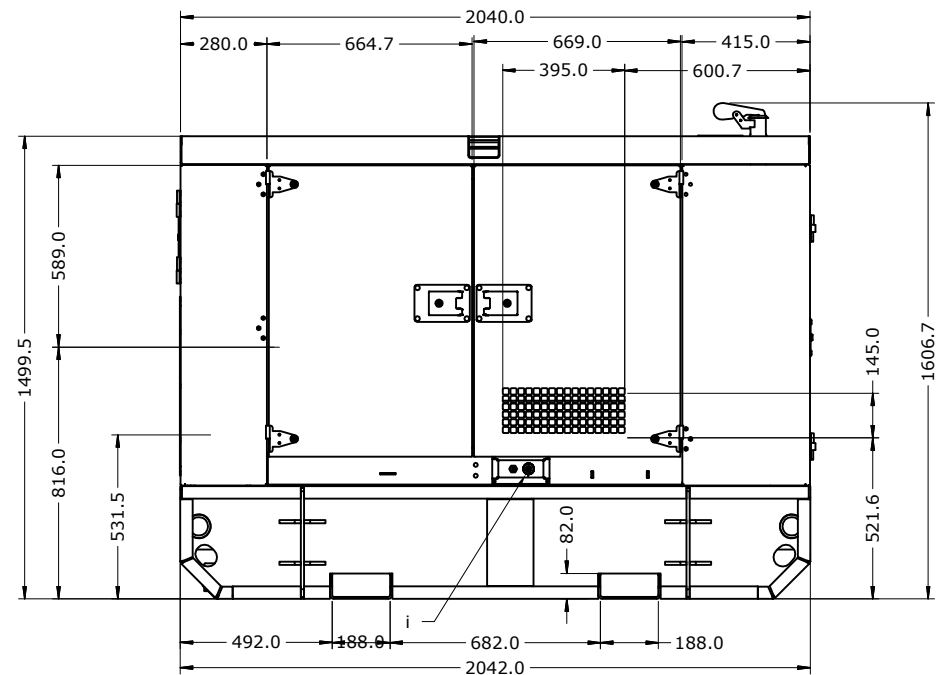
BOTTOM VIEW



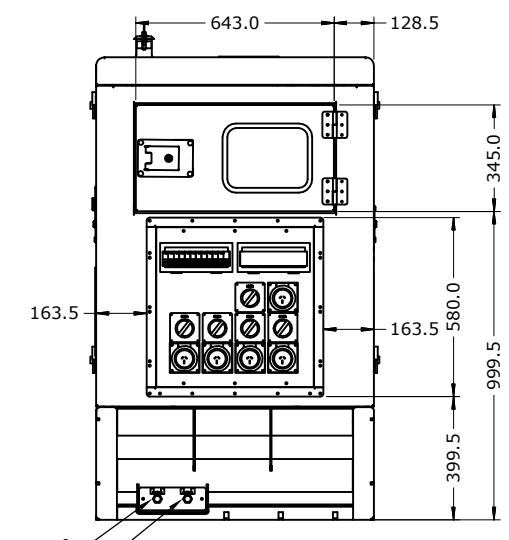
NO	DESCRIPTION
1	CONTROLLER CEM7
2	FUEL LEVEL METER
3	SELECTOR THUMBED SWITCH
4	EMERGENCY STOP
5	RELAY
6	COIL MX+OF
7	CIRCUIT BREAKER



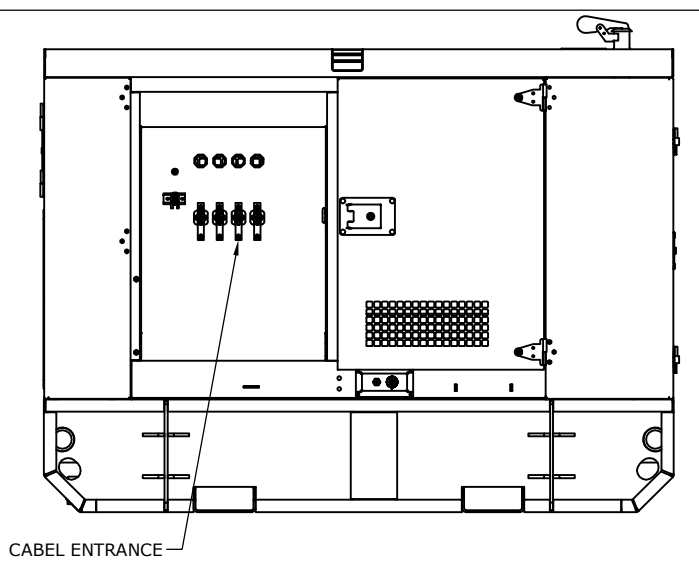
FRONT VIEW



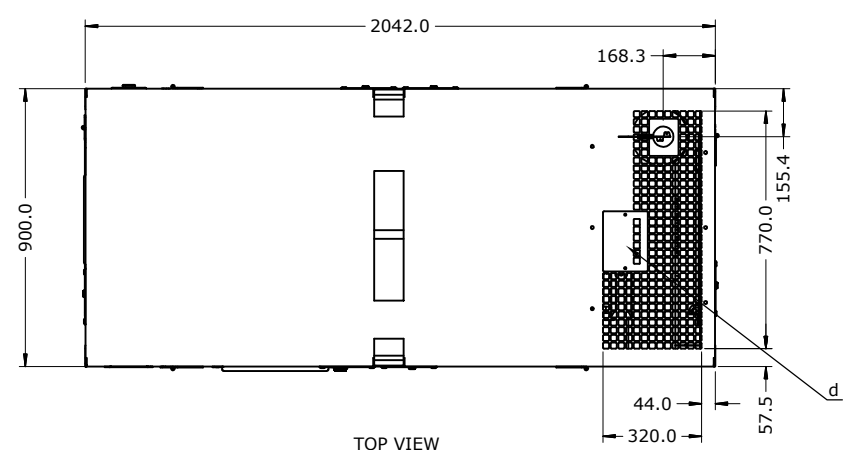
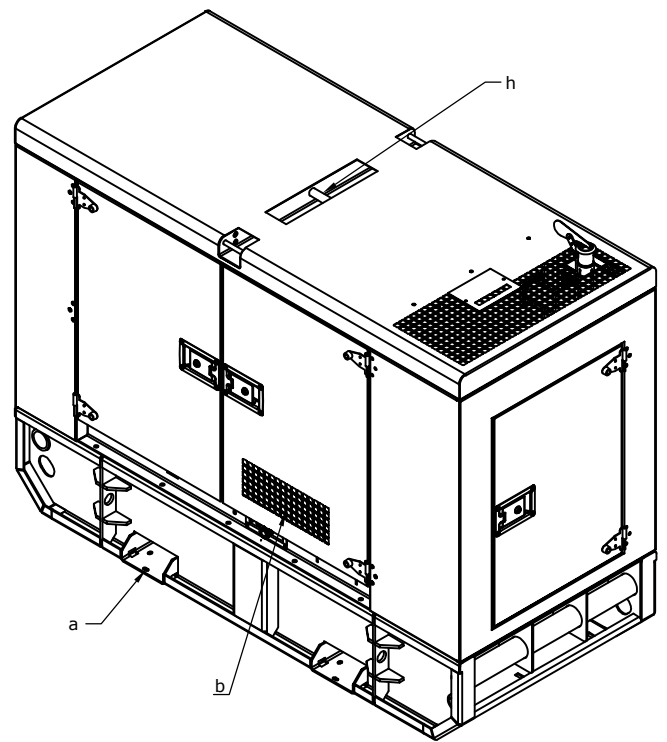
RIGHT VIEW



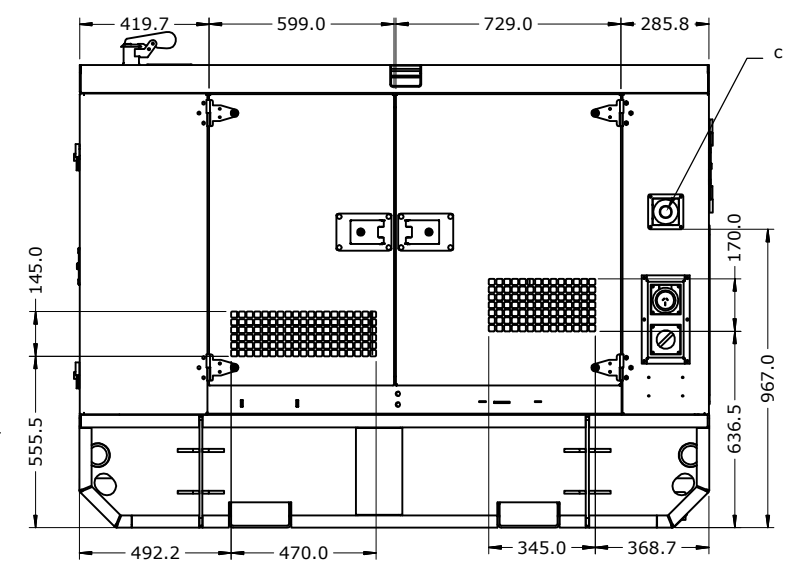
REAR VIEW



CABEL ENTRANCE



TOP VIEW



LEFT VIEW

FUEL TANK: 300L (STEEL FUEL TANK)

	ENGINE MODEL
YANMAR	4TNV84T BGGEH
YANMAR	4TNV98 GGEH
YANMAR	4TNV98T GGEH

- Note:
- a. FIXING POINT
 - b. AIR INLET
 - c. EMERGENCY STOP BUTTON
 - d. RADIATOR ACCESS
 - f. FUEL DRAIN
 - g. WATER DRAIN
 - h. LIFTING POINT
 - i. FUEL INLET(OUTLET) QUICK COUPLING

DESIGNED:	29/ 10/19	NAME:	H.J.J	OLD CODE:	
REVISED:	29/ 10/19	L.Y		NEW CODE:	
APPROVED:	29/ 10/19	D.M		The actual design is HIMOINSA S.L property. It can not be used for construction of the showed item, reproduced or communicated to third parts without the previous authorisation of the above mentioned company.	

DESIGNACIÓN / DESIGNATION:
SOUND ATTENUATED GENSET
MOTOR/ENGINE:YANMAR

DRAWING N°:

CODE:

REVISION: 00 **DIN- A2**

UNIT: mm **SCALE: 1:20**