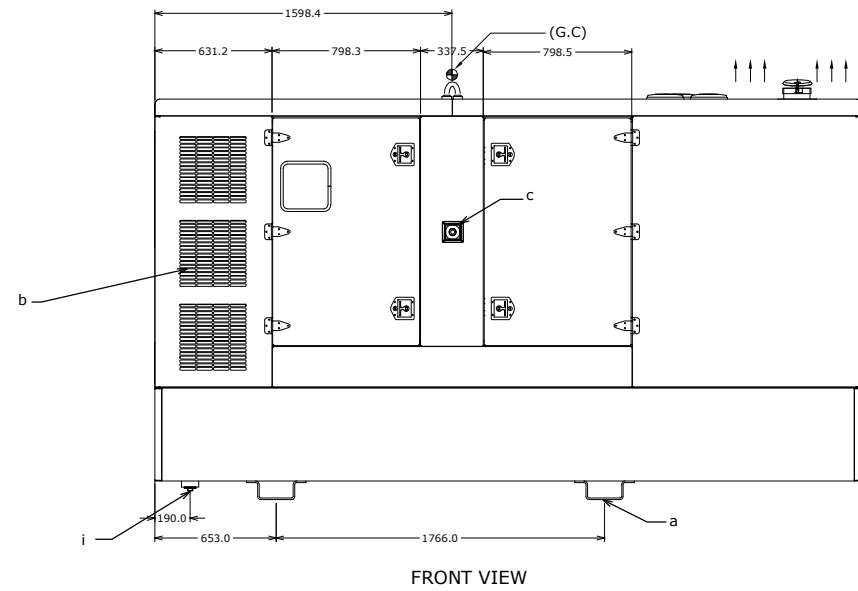
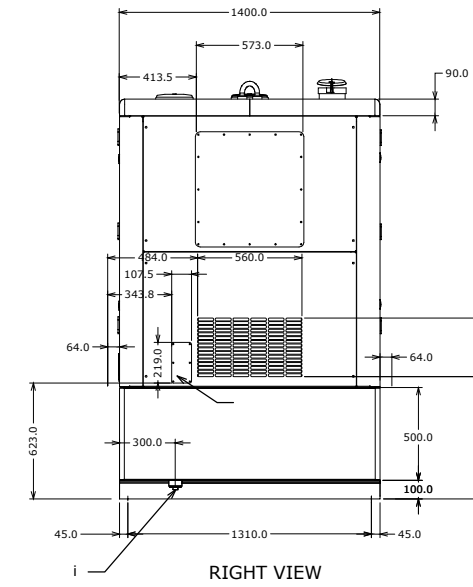


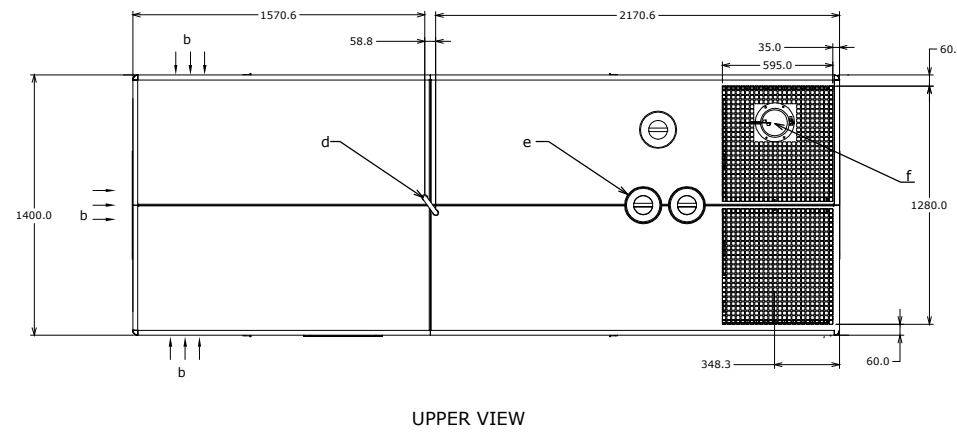
LEFT SIDE VIEW



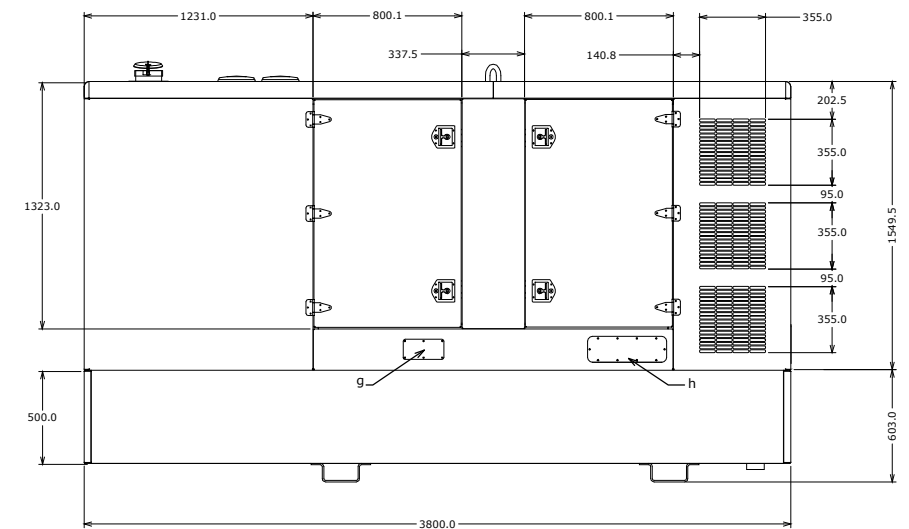
FRONT VIEW



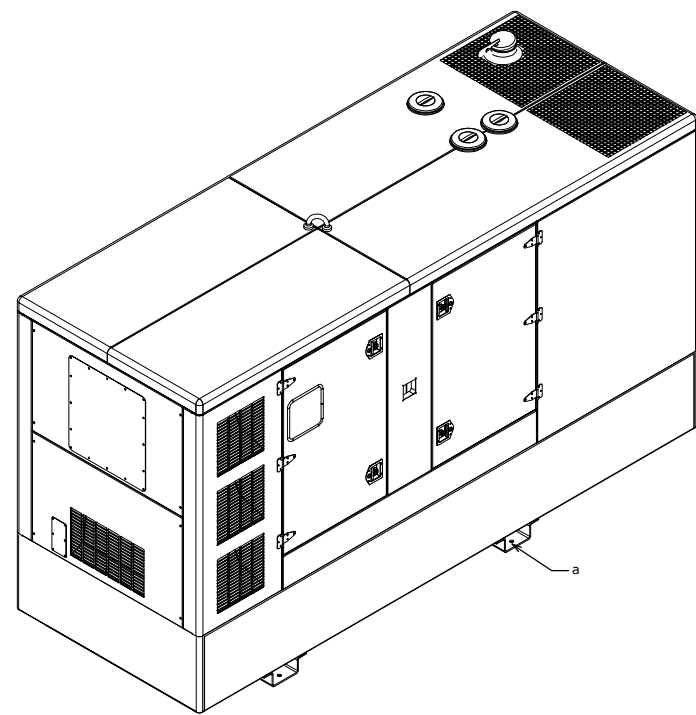
RIGHT VIEW



UPPER VIEW



REAR VIEW



ISOMETRIC VIEW

FUEL TANK OPTIONS:
1000 LTS(SHEET METAL 3mm)
LUXURY CHASSIS

NOTES

- (a) MOUNTING POINT (4xØ22mm)
- (b) AIR INLET
- (c) EMERGENCY STOP
- (d) LIFTING POINT
- (e) RADIATOR ACCESS
- (f) EXHAUST OUTLET Ø140mm
- (g) EXTERNAL FUEL CONNECTIONS
- (h) CABLE ENTRANCE
- (i) ACCESS TO DRAIN
- (j) AIE OUTLET

Engine	Engine model
SCANIA	DC9 072A

HIMOINSA®
THE ENERGY

DESIGNED:	07/ 07/16	NAME:	L.Y	OLD CODE:	
REVISED:	07/ 07/16	NAME:	L.Y	NEW CODE:	
APPROVED:	07/ 07/16	NAME:	D.M	The actual design is HIMOINSA S.L property. It can not be used for construction of the showed item, reproduced or communicated to third parts without the previous authorisation of the above mentioned company.	

DESIGNACIÓN / DESIGNATION:
SOUND ATTENUATED GENSET
MOTOR/ENGINE:SCANIA HSW-255 T5 F10
CARROLERIA MODELO/CANOPY MODELL: F10

DRAWING Nº: HSW-255 T5 F10

CODE: 8048956

REVISION: 00 **DIN- A2**

UNIT: mm **SCALE:**