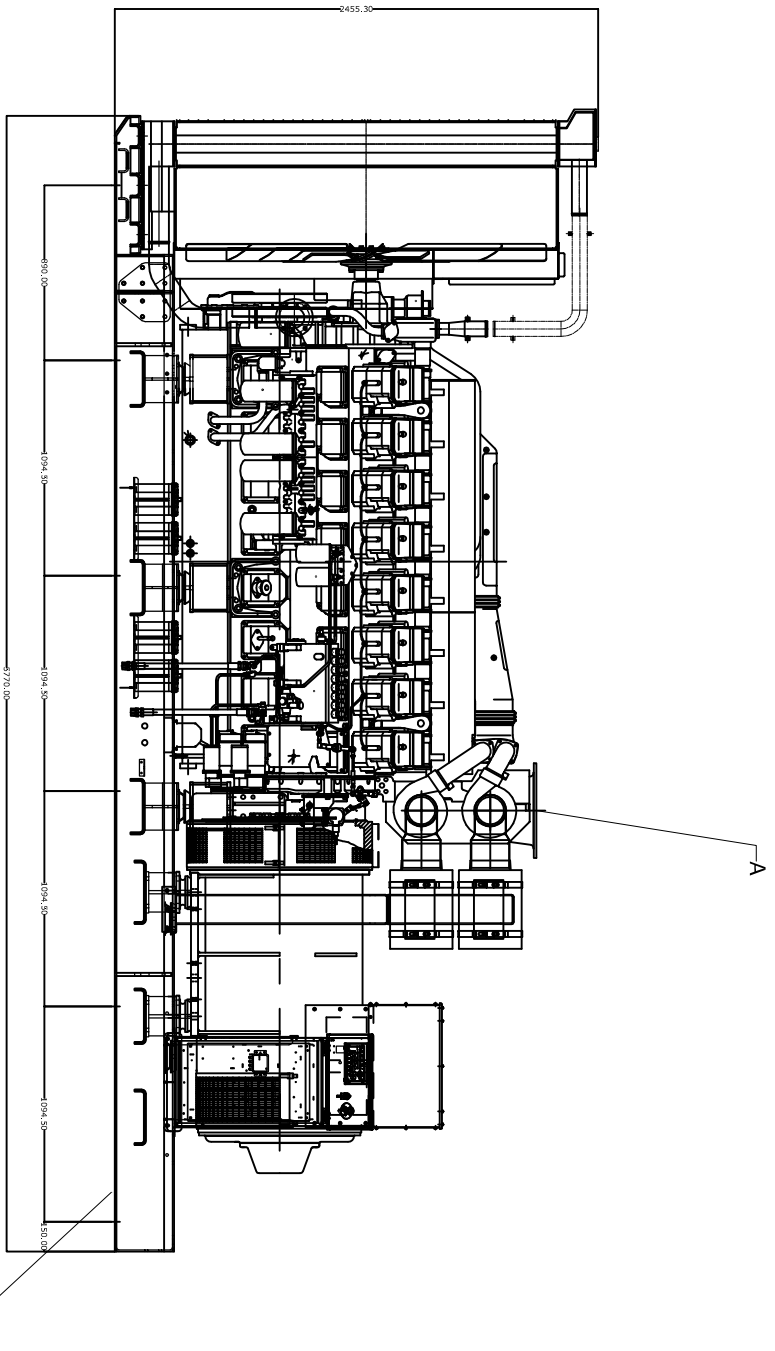
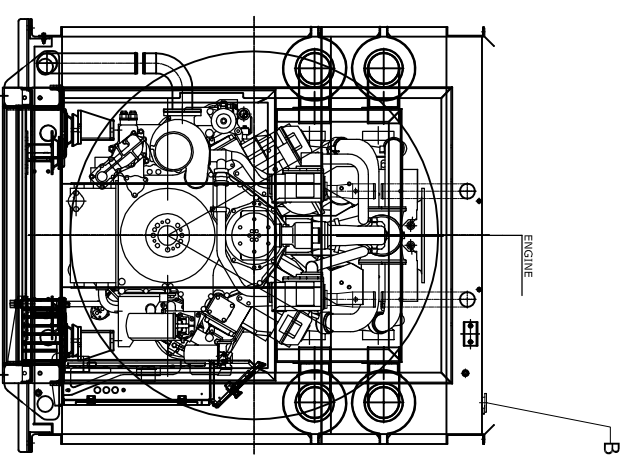


LEFT SIDE VIEW

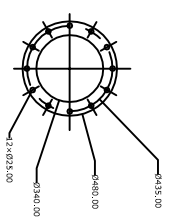


FRONT VIEW



RIGHT SIDE VIEW

DETAIL EXHAUST FLANGE
SCALE 1: 5



Engine	Engine model
MTSJBISHI	S16R-PTA2

- NOTES
- (a) EXHAUST OUTLET $\phi 140$ mm
 - (b) RADIATOR ACCESS
 - (c) FLOOR TO FASTENING

DATE:	NAME:	OLD CODE:	
DESIGNED: 13/04/12	HUANG JANJUN	NEW CODE:	
REVISED: 13/04/12	LOUIS YU		
APPROVED: 13/04/12	Tony Wong		

DESIGNATION:

SOUND ATTENUATED GENSET

ENGINE: S16R-PTA2

OPEN SKID GENSET HTW-1900 T5

DRAWING No: [REDACTED]

CODE: [REDACTED]

REVISION: 00

UNIT: mm SCALE: 1/5

DIN-A2