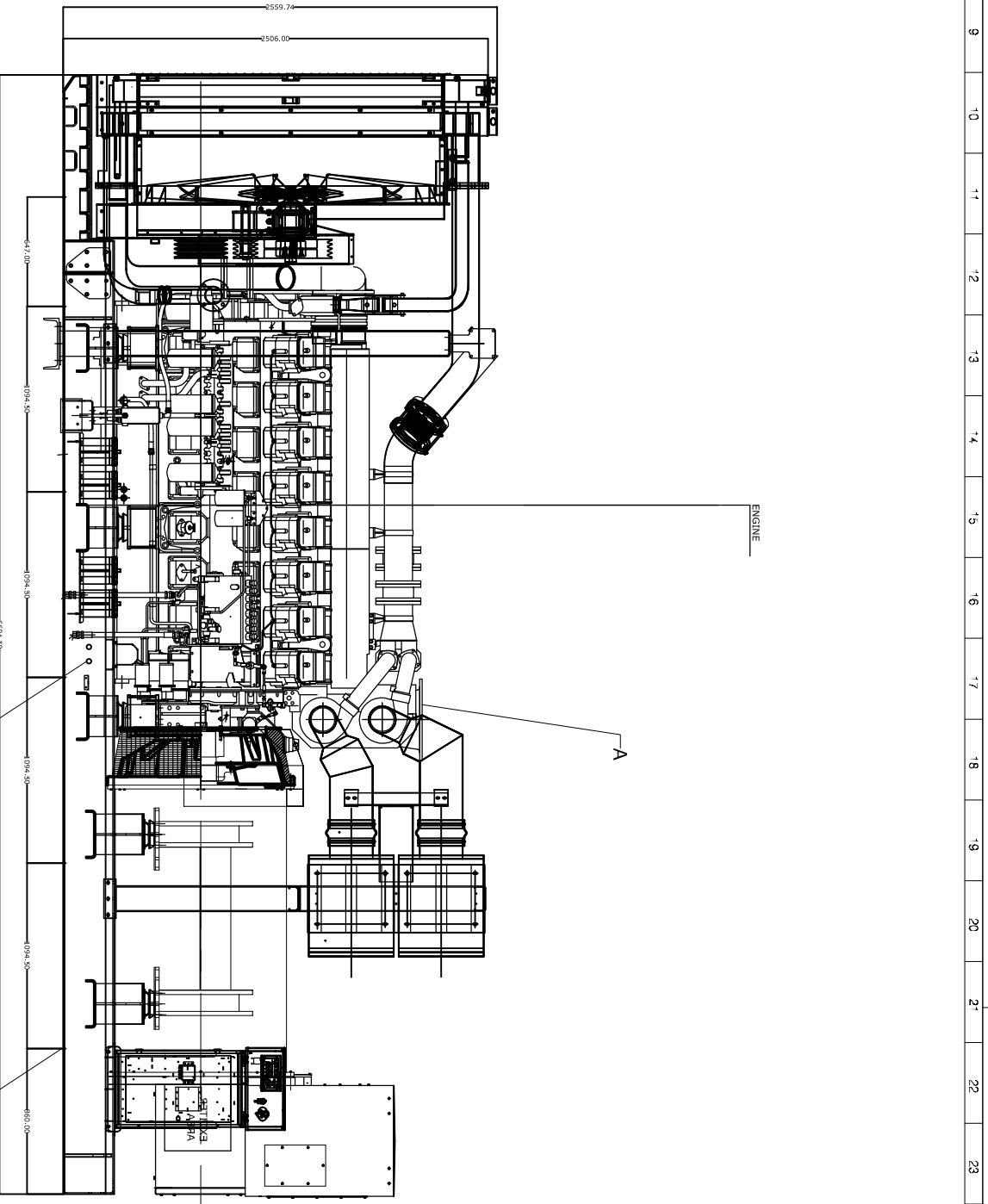
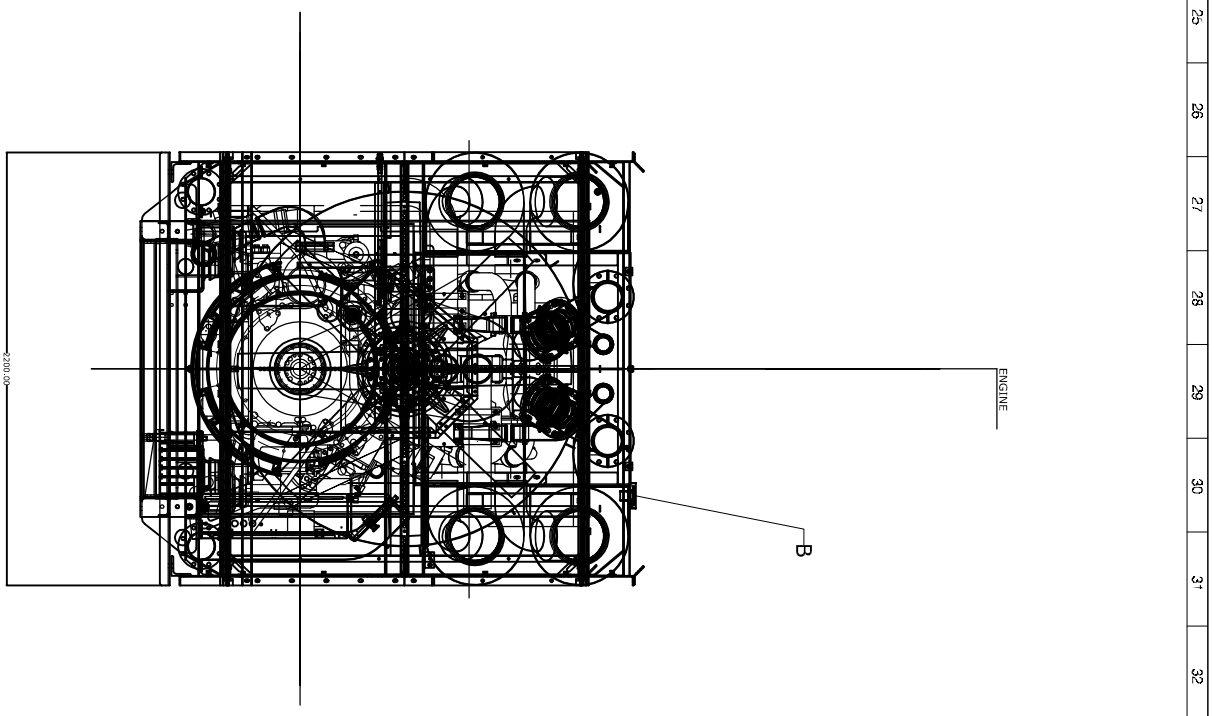


LEFT SIDE VIEW

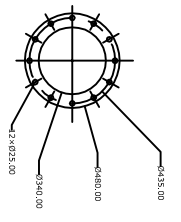


FRONT VIEW



RIGHT SIDE VIEW

DETAIL EXHAUST FLANGE
SCALE 1: 1



Engine	Engine model
MITSUBISHI	S16R-PTAA2

- NOTES
- (A) EXHAUST OUTLET $\varnothing 340$ mm
 - (B) RADIATOR ACCESS
 - (C) SHROUD TO FASTENING 12- $\varnothing 19$ mm
 - (D) FUEL INLET & OUTLET

DATE:	6/13/14	NAME:	HUANG JANJUN	OLD CODE:	
DESIGNED:	6/13/14	REVISOR:	LOUIS YU	NEW CODE:	
REVISOR:	6/13/14	APPROVED:	MICHEL UMBILLAS		
APPROVED:	6/13/14				

DESIGNATION: **SOUND ATTENUATED GENSET**
ENGINE: S16R-PTAA2
OPEN SKID GENSET HTW-203015

DRAWING No.:
CODE:
REVISION: 00
UNIT: mm SCALE: 1/5

DIN-A2

A 2 3 4 5 6 7 8 9 10 11 12 13 14 15 16 17 18 19 20 21 22 23 24 25 26 27 28 29 30 31 32